

TMD series

TURNING CENTER



*This machine is TMD-13 with pallet changer

Machine Specifications			TMD-13	TMD-16	TMD-20	
Travel	X-axis travel (Horizontal travel of Ram)	mm [in]	-630 ~ 920 [-24.8 ~ 36.2]	-805 ~ 1120 [-31.7 ~ 44.1]	-1005 ~ 1370 [-39.6 ~ 53.9]	
	Z-axis travel (Vertical travel of Ram)	mm [in]	800 [31.5]	800 [31.5]	1 050 [41.3]	
Table	Table diameter	mm [in]	1 250 [49.2]	1 600 [63.0]	2 000 [78.7]	
	Maximum swing size	mm [in]	1 600 [63.0]	2 000 [78.7]	2 700 [106.3]	
	Table speed	min-1	2 to 450	2 to 350	2 to 250	
	Table loading capacity	on the Machine on the APC	kg [lbs]	8 000 [17 600] 4 000 [8 800]	10 000 [22 000] 5 000 [11 000]	15 000 [33 000] 7 000 [15 400]
Spindle	Spindle speed	min-1	25 to 3 000			
	Maximum torque	Nm [lbf-ft]	420 [310]			
Feedrate	Rapid traverse rate	X	mm/min [ipm]	12 000 [472]	12 000 [472]	10 000 [394]
		Z	mm/min [ipm]	10 000 [394]		
		C	deg/min	1440	1080	720
	Feedrate	X, Z	mm/min [ipm]	2 000 [78.74]		
		C	deg/min	360		
Motor	Table drive (30/Cont.)	kW [HP]	AC45/37 [AC60/50]			
	Spindle drive (30/Cont.)	kW [HP]	AC22/15 [AC30/20]			

Shibaura Machine

755 Greenleaf Avenue | Elk Grove Village, IL 60007 | mt-sales@shibaura-machine.com

Option Accessories

Auto Pallet Changer



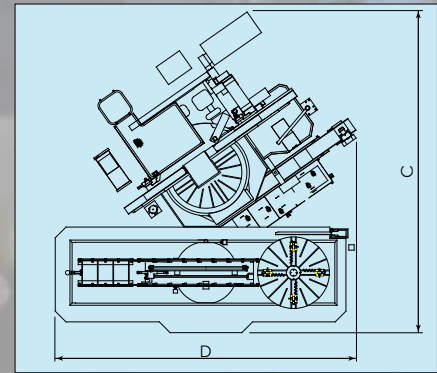
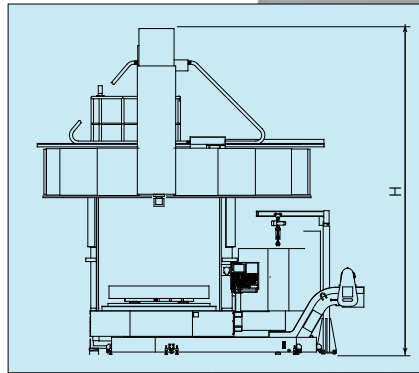
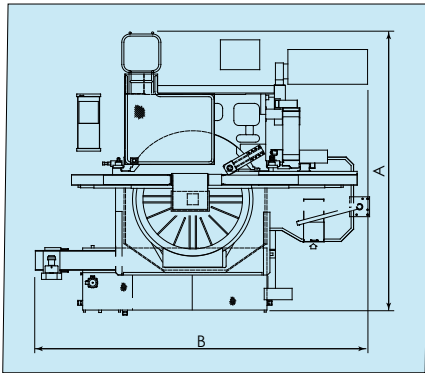
Pallet Magazine



ATC 48 / 60



Machine General Views



Without Pallet Changer

	mm [in]		
	TMD-13	TMD-16	TMD-20
A	5 740[226]	6 080[240]	6 670[263]
B	4 460[176]	4 805[190]	5 790[228]
H	5 550[216.5]	5 750[226.4]	6 300[248]

With Pallet Changer

	mm [in]		
	TMD-13	TMD-16	TMD-20
C	6 520[257]	7 620[289]	8 885[350]
D	6 620[260]	7 360[290]	8 400[331]
H	5 550[216.5]	5 750[226.4]	6 300[248]

Machine Accessories

FANUC 31i-MODEL B
 Individually 4 Jaws chuck
 Double Face Contact spindle
 Auto power shut down
 Auto Pallet Changer
 Auto diameter and Step measurement

Number of Auto Tool Change : 24,36,48,60
 FMS50A CAT50
 ATC Jib crane
 2Mpa[284PSI] CTS
 Auto measurement function
 Auto Tool Tip measurement

Shibaura Machine

755 Greenleaf Avenue | Elk Grove Village, IL 60007 | mt-sales@shibaura-machine.com
<https://www.shibaura-machine.com/>