



SHEET METAL PROCESSING MACHINES

VERSION 1, 2024



“WORKING AT THE CUTTING EDGE!” “IT’S IN OUR DNA”

For the ultimate result in deburring and edge rounding, and the perfect precision in surface treatment and stock removal, we always do that little bit extra.

Pushing the boundaries with regard to technology, innovative power and flexibility is in our DNA. This is one of the reasons why we are known as specialists in standard and custom-made work. Timesavers is the creative party that likes nothing better than taking a constructive approach and putting forward technically well-thought-out solutions with the best results. This working method suits us: we want to offer our customers added value. That is what motivates us and keeps us ahead!

TIMESAVERS HAS BEEN SETTING THE STANDARDS FOR YEARS NOW

Timesavers is the largest producer of wide abrasive belt equipment in the world with sites in Minneapolis (USA), Goes (the Netherlands) and Shanghai (China). With more than 80 years of experience and a huge customer base worldwide, we recognise like no other the need for and strength of constant development and innovation. We provide a total package to our customers with our technical solutions, international production, extensive application knowledge and unmatched after-sales support. This is all brought about by a dedicated team with a sharp focus on quality and customer satisfaction.

YOUR PRODUCT DESERVES TOP QUALITY

The Timesavers range is specialised abrasive equipment for the optimal processing of products made of steel, stainless steel, aluminium and zincor coated (including plastic films or embossed surfaces). Apart from these standard metal types, our machines can also process various types of stone, concrete, composites and special metals. Are you looking for perfection in deburring, edge rounding, finishing or precision grinding with the highest attainable quality and with an unmatched finish? Choose Timesavers.

CREATIVITY AND TECHNOLOGY GO HAND-IN-HAND AT TIMESAVERS

We adhere to the principle that different options are required for different applications and there is nobody who offers a broader range of machines than Timesavers. In addition, Timesavers also develops and produces machines for special applications up to complete turnkey project solutions with various types of peripheral equipment. Timesavers thinks in terms of solutions and likes to meet your challenge with vigour and enthusiasm.

THE WORLD IS OUR PLAYING FIELD

More than 60,000 Timesavers' grinding machines have been sold worldwide of which a large number are still operational today. More than 100 factory-trained independent distributors are ready to give service worldwide. In addition, the organisation has a team of engineers who are stationed strategically and provide support. We always know how to help you. Regardless of where you may be in the world.





10
SERIES



12
SERIES



12
RB SERIES



22
SERIES



22
RB SERIES



31
SERIES



32
RB SERIES



42
RB SERIES



62
SERIES



71
SERIES



72
SERIES



81
SERIES

Table of contents

Deburring Edge rounding Finishing Precision grinding Laser oxide removal Heavy slag removal

DEBURRING | EDGE ROUNDING

10 series	page 8	0	0	0	0	0
12 series	page 10	0	0	0	0	0
12 RB series	page 12	0	0	0	0	0
22 series	page 14	0	0	0	0	0
22 RB series	page 16	0	0	0	0	0
31 series	page 18	0	0	0	0	0
32 RB series	page 20	0	0	0	0	0
42 RB series	page 22	0	0	0	0	0

STAINLESS STEEL FINISHING

62 series	page 26	0	0	0	0	0
71/72 series	page 28	0	0	0	0	0

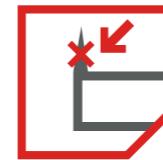
PRECISION GRINDING

81 series	page 30	0	0	0	0	0
-----------	---------	---	---	---	---	---

TOOLING

Spare parts: Consumables	page 35					
Brushes	page 36					
Machine cleaning	page 42					
Belts	page 44					
Spare parts: Handling	page 45					
Tables	page 46					
Dust extractor	page 48					
Brush holders	page 50					

TIMESAVERS: THE BEST WHEN IT COMES TO SHEET METAL PROCESSING MACHINES



DEBURRING WITH A TIMESAVERS DEBURRING MACHINE

Deburring is the removal of irregularities and sharp edges on metal products. They are often caused by machining work such as laser, water jet, punched or plasma cutting. Discover Timesavers' broad machine line for effective and efficient deburring.



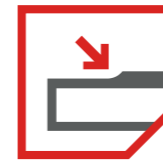
ARE YOU LOOKING FOR THE MOST BEAUTIFUL AND BEST EDGE ROUNDING OF METAL?

A radius is created on the edge of the metal during edge rounding of metal products. This ensures that the sharpness of the edge is removed and it is given a uniform rounding. Timesavers offers perfection in edge rounding with a radius of up to 2 mm in a single pass.



GET THE BEST FINISH WITH TIMESAVERS

Surface finishing applies to, for example, stainless steel and aluminium in several versions: a hairline, a brush and a grain finish. Timesavers offers a wide range of quality finishing machines with abrasive belts and brushes.



PRECISION GRINDING WITH TIMESAVERS' INNOVATIVE GRINDING TECHNOLOGY

Surplus material such as the oxide layer is removed from metal products through surface grinding when you apply precision grinding. Timesavers is the expert in precision grinding where tolerances of up to 0.02 mm can be achieved.



REMOVAL OF LASER OXIDE SKIN

Oxide skin occurs on metal and stainless steel when laser cutting using oxygen, and it must be removed for subsequent coating processes or welding. Timesavers has developed a perfect solution for the removal of laser oxide, both from the surface, as well as from the sides of the product.



EASY REMOVAL OF HEAVY SLAG

Slag occurs when metal melts because of, for example, autogenous and plasma cutting. Slag removal requires a special approach for which Timesavers offers the ultimate solutions.



OVERVIEW POSSIBLE MACHINE CONFIGURATIONS

Possible machine configurations of the 12 till 42 RB series machines to deburr, round edge, finish, remove laser oxide or remove heavy slag.

W

12
22
31

APPLICATION
deburring and finishing

WW

12
22
31

APPLICATION
deburring and finishing

WRBW

12^{RB}

APPLICATION
deburring, edge rounding and finishing

RBW

32^{RB}

APPLICATION
edge rounding and finishing

RB

32^{RB}

APPLICATION
edge rounding

WRB

32^{RB}
22^{RB}

APPLICATION
deburring and edge rounding

WRBW

32^{RB}
22^{RB}

APPLICATION
deburring, edge rounding and finishing



WMD

22

APPLICATION
deburring and edge rounding

WMDMD

22

APPLICATION
deburring and edge rounding

H

22

APPLICATION
heavy slag removal

HW

22

APPLICATION
heavy slag removal and deburring

WRBW

42^{RB} 2MM RADIUS

APPLICATION
deburring, edge rounding and finishing

WWRB

42^{RB} 2MM RADIUS

APPLICATION
pre-deburring, deburring and edge rounding

WWRBW

42^{RB} 2MM RADIUS

APPLICATION
pre-deburring, deburring, edge rounding and finishing

WB

12
22
31

APPLICATION
finishing and brushing

WWB

22
31

APPLICATION
finishing and brushing



RB

42^{RB} 2MM RADIUS

APPLICATION
edge rounding

RBW

42^{RB} 2MM RADIUS

APPLICATION
edge rounding and finishing

HWRB

42^{RB} 2MM RADIUS
32^{RB}

APPLICATION
heavy slag removal, deburring and edge rounding

WRB

42^{RB} 2MM RADIUS

APPLICATION
deburring and edge rounding

W - Wide belt **RB** - Rotary Brush **H** - Hammerhead
B - Brush **MD** - Multi Disc

TIMESAVERS OFFERS A PREMIUM SOLUTION TO EVERY SPECIFIC NEED

THE 10 SERIES MANUAL GRINDER

The 10 series is Timesavers' versatile starter model and the cost saving alternative for manual deburring, edge rounding, laser oxide removal, slag removal and finishing of metal.



The all-in-one Manual Grinder

This versatile machine has two heads: an easy to change grinding disc and a brush. The different kind of brushes can take care of deburring, edge rounding, finishing, laser oxide removal and heavy slag removal. Also, mirror finish can be created if required. Thanks to the 180 degrees rotating shaft, it is easy to rapidly switch between different consumables.

Optimal operating conditions due to ergonomic design

The machine has a special tabletop with a high friction surface to fix the parts during processing. Smaller parts are kept in place due to the integrated vacuum. The operation speaks for itself. That makes it a user friendly machine, accessible to all.

Increase of production capacity

Operation comfort contributes to a higher production capacity and reduced operator fatigue. Ready to replace manual deburring? Contact Timesavers' experts for professional advice.



Available configurations (mm):

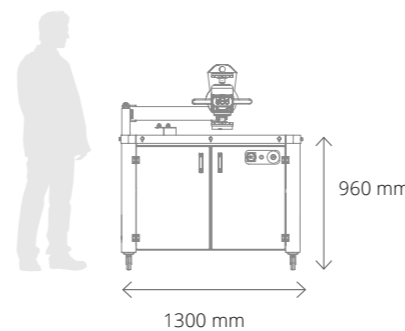
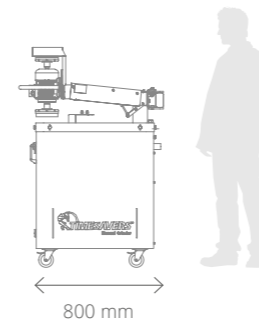
MG 1300 x 880 2.5 kW / 11.6 A

Specifications:

Number of heads	2
Head types	disc, brush
Disc/brush diameter	150 mm
Rotating grinding heads	180°

Specifications:

Table	1300 x 800 mm (960 mm working height)
Vacuum area	260 x 310 mm
Maximum thickness of a part	100 mm
Applications	deburring, edge rounding, laser oxide removal, slag removal, finishing



STANDARD VERSION WITH VACUUM:

- ✦ 2-position movable arm with weight compensation.
- ✦ Starter set to process different materials.
- ✦ Grinding dust is collected in an easy-to-clean container.
- ✦ Frequency controlled drive.
- ✦ Worktable 1300 x 800 mm.
- ✦ Weight approx. 270 kg.
- ✦ Vacuum table size 260 x 310 for small parts.
- ✦ 0.75 kW main motor.
- ✦ Height-adjustable side guards for personal protection and machining of larger parts.
- ✦ CE-certified.
- ✦ 400 Volt/50 Hz connection with plug.

APPLICATIONS AND BENEFITS:

- ✦ Reduction in consumables costs by long-life brushes.
- ✦ 3 - 4 times faster compared to deburring by hand.
- ✦ Even deburring and edge rounding.
- ✦ Affordable entry-level model.
- ✦ Wheels for easy movement.
- ✦ Optimal user-friendliness.



12 SERIES FOR DRY DEBURRING AND FINISHING OF SMALL PARTS

Timesavers' deburring machine 12 series has been the standard in the metal industry for more than forty years. Thousands of these economically attractive deburring machines are being used worldwide for the deburring and finishing of small parts.



Simple and consistent

This dry working machine has a 600 mm wide conveyor belt. It can be equipped with a combination of an abrasive belt and brush. Its simplicity allows for easy operation by anyone, eliminating the reliance on individual skill for achieving consistent results. With the operator in control, the machine delivers consistent deburring and finishing results.

Save tooling costs

Parts are deburred more consistently by machine than by hand. As a result, the abrasive belts wear more evenly and have a longer service life compared to abrasive discs used for manual deburring. So there are savings in tool costs and time, as less downtime is needed to replace abrasive belt.

Increase efficiency

The 12 series is a perfect solution to increase efficiency in the deburring process. Contact Timesavers' experts for professional advice.

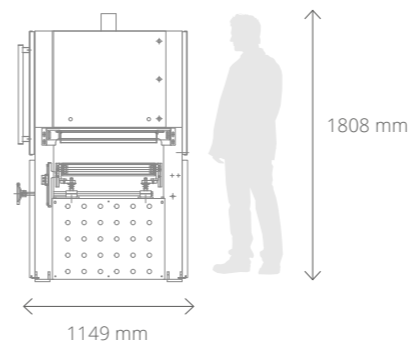


Available configurations (mm):

W	600
WW	600
WB	600

Specifications:

Number of heads	1 - 2
Head types	roller, brush
Working width	600 mm



STANDARD VERSION:

- + Electric table height adjustment 1 - 125 mm.
- + Digital thickness readout in mm, on display.
- + Throughput speed W: 3 - 9 m/min | WW+WB: 1.5 - 9 m/min.
- + CE-certified.

APPLICATIONS AND BENEFITS:

- + Removal of vertical burrs from punched, laser and waterjet-cut parts.
- + Processable materials: stainless steel, steel, aluminium, copper, etc.
- + Pre-grinding of heavy burrs and finishing in one pass on machine with multiple heads.
- + Option of edge breaking and fine grinding with a brush.
- + Optimal ease of operation.

Specifications:

Transport speed	3 - 9 and 1.5 - 9 m/min
Abrasive belt length	1525 mm
Contact roller diameter	150 mm
Applications	deburring, finishing



THE SMALLEST ROTARY BRUSH MACHINE



The 12 RB series is the newest and smallest machine with a working width of 300 mm. Excellent for deburring, edge rounding or laser oxide removal and finishing of small sheet metal parts.

Deburring, edge rounding and finishing for small parts

This is an entry level model of the rotary brush machine. It is perfect for customers who need to create a radius on small parts. Or for customers who are looking for an addition to their larger Timesavers machine. The big rotary brush is flexible and grinds the edges, while leaving the surface unharmed. Because of its small footprint, it can be a great solution for companies that have limited space available on their production floor.

Consistent results

To manually grind a radius on each small metal part is a time consuming challenge. And with tumbling, you do not have much control over the finish. Nor is it easy to get rid of the burrs caused by a laser. However, the 12 RB series ensures time savings and consistent, all-round results, as it works fully automated. With the right settings it will improve your deburring process and the quality of your products. The brush covers the entire working width and will wear evenly.

Automated settings

The rotary brush machine is unique on its own. It is the only machine that has motorised height adjustment on all the machine heads. That is not all. The table also has a fixed height of 970 mm. This constant height is ideal when adding handling options such as return or buffer tables. In addition, parts that have less than 5 mm difference in thickness can be machined simultaneously with the RB head only. Contact Timesavers' experts for professional advice.



Available configurations (mm):

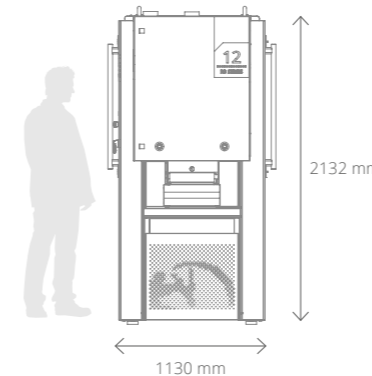
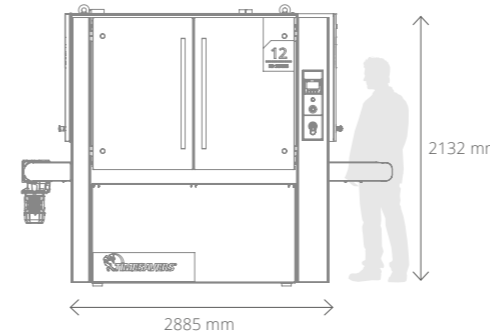
WRBW 300 12 kW / 22 A

Specifications:

Number of heads	3
Head types	wide belt, rotary brush
Working width	300 mm
Number of brushes	1 (quick change brush system)

Specifications:

Table opening	1 - 100 mm
Transport speed	0.5 - 8 m/min
Brush dimensions	530 x 350 mm
Contact roller diameter	150 mm
Applications	deburring, edge rounding, laser oxide removal, finishing

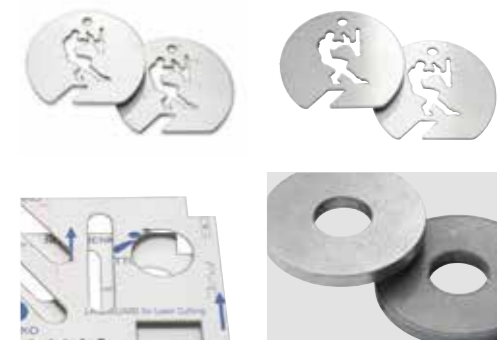


STANDARD VERSION:

- + Machine working width of 300 mm.
- + Efficient ergonomic operation through user-friendly TP900 Siemens HMI.
- + Constant pass conveyor height at 970 mm.
- + Vacuum table for processing small products (20 x 20 mm).
- + Frequency controlled motors (wide belt and brush) for easy speed adjustment.
- + Easily changeable brush and abrasive belt.
- + Various brush types are available for multifunctional use of materials.
- + Product thickness 0,8 - 100 mm.
- + Transport speed from 0.5 - 8 m/min.
- + Two additional buttons for adjusting the transport and brush speed.
- + CE-certified.

APPLICATIONS AND BENEFITS:

- + Rotary brush machine with smallest footprint.
- + The brush contact distance of 530 mm.
- + The R+ brush has a total of 7 m² of abrasive material.
- + Low tooling costs and very low energy consumption.
- + Maximum user-friendliness and an optimal process visibility.
- + Removal of burrs on laser-cut, waterjet-cut and punched products.
- + Processable materials: stainless steel, steel, aluminium, copper, etc.
- + Removal of oxide skin with metal wire brush.
- + Non-directional finish with only RB head.



THE 22 SERIES FOR DEBURRING AND FINISHING OR SLAG REMOVAL

The 22 series is suitable for dry finishing and deburring of metal. This versatile machine is available in three working widths: 900 mm, 1050 mm and 1280 mm. It can be equipped with a total of three heads for multiple applications.



Rugged and solid

Looking for an economically attractive solution that takes care of deburring and finishing? This 22 series is simple, rugged and timeless. It removes all irregularities from laser cut parts, while keeping the operating costs low. There are many configurations available and each has its benefits. Abrasive belts are perfect for deburring and finishing in one pass. The multi discs grind the top and break the edges. A single brush at the end will apply a nice finish. And there is more...

Slag removal

Plasma or flame cut steel parts are often left with large burrs, also known as slag or dross. Because slag is difficult to deburr with a grinding belt, Timesavers has developed the Hammerhead. This special technique removes slag in an instant. A time saver guaranteed.

Contact Timesavers' experts for professional advice.



Specifications:

Number of heads	1 - 3
Head types	wide belt, brush, multi disc, hammerhead
Working width	900, 1050, 1280 mm
Abrasive belt length	1900, 2620 mm

Available configurations (mm):

	H	W	HW	WB	WW	WWB	WMD	WMDMD
Working width	900	900	900	900	900	900	900	900
Number of heads								
Head types								
Working width								
Abrasive belt length								

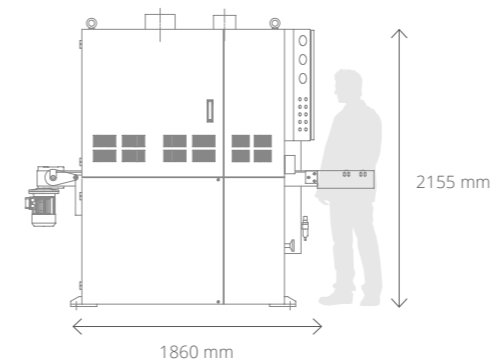


STANDARD VERSION:

- ✦ Table mounted on four synchronous spindles.
- ✦ Digital thickness readout in mm, on display.
- ✦ Frequency controlled transport motor, 2.5 - 14 m/min.
- ✦ Automatic table height adjustment 1 - 125 mm.
- ✦ Electronic oscillation.
- ✦ Dust extraction hoods and connections on top.
- ✦ CE-certified.

APPLICATIONS AND BENEFITS:

- ✦ Removal of vertical burrs from punched, laser and waterjet-cut parts.
- ✦ Processable materials: stainless steel, steel, aluminium, copper, etc.
- ✦ Deburring and surface finishing in one throughput when using multiple heads.
- ✦ Edge breaking by means of Nylon web brushes (B), flap brushes (B) or small brushes (MD).
- ✦ Removing metal dross with the hammerhead (H).
- ✦ Grinding or brushing for making a finish.
- ✦ Very low operating costs and high production capacity.



Specifications:

Table opening	1 - 125 mm
Transport speed	2.5 - 14 m/min
Contact roller diameter	150, 200 mm
Applications	deburring, edge rounding, slag removal, finishing



22

RB SERIES

THE MOST COMPACT ROTARY BRUSH MACHINE

The 22 RB series is the most compact dry operating machine for deburring, edge rounding, finishing and laser oxide removal of various sheet metal parts.

Compact solution

The 22 RB series is designed for sheet metal parts up to 600 mm width, making it ideal for companies with smaller production demand and corresponding budget. It allows customers to achieve precise deburring, edge rounding, laser oxide removal and finishing of parts.

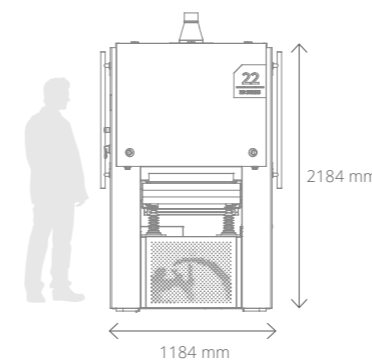
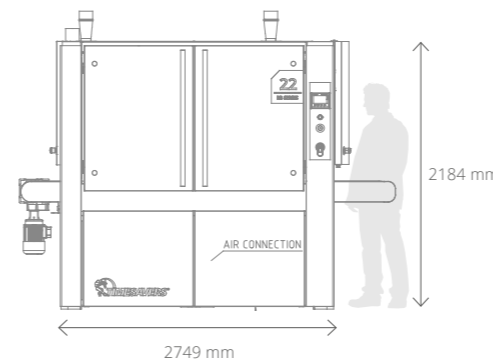
Reliable and uniform results

Through its automated process, the machine offers reliable and uniform results. That is crucial for ensuring the quality of finished products. Moreover, the 22 RB series can combine edge rounding with removing laser oxide. By effectively removing the oxide layer, companies can ensure optimal coating adhesion and improve the overall quality and longevity of their products.

Smart software

The machine is equipped with Siemens PLC and HMI, allowing the process and parameters to be adjusted automatically.

Contact Timesavers' experts for professional advice.



STANDARD VERSION:

- ✦ Machine working width of 600 mm.
- ✦ Efficient ergonomic operation through user-friendly TP900 Siemens HMI.
- ✦ Vacuum table for processing small products (50 x 50 mm).
- ✦ Vacuum table with an integrated automatic cleaning cycle.
- ✦ Frequency controlled motors (roller and brushes) for flexibility during the process.
- ✦ Easily changeable brushes.
- ✦ Various brush types are available for multifunctional use of materials.
- ✦ Adjustable table height 1 - 100 mm.
- ✦ Product overthickness protection.
- ✦ Transport speed from 0.5 - 8 m/min.
- ✦ Two additional potentiometers for adjusting the transport and brush speed.
- ✦ CE-certified.

APPLICATIONS AND BENEFITS:

- ✦ Very compact rotary brush machine.
- ✦ The brush contact distance of 850 mm.
- ✦ The four brushes have a total of 12 m² of abrasive material.
- ✦ Low tooling costs and very low energy consumption.
- ✦ Maximum user-friendliness and an optimal process visibility.
- ✦ Removal of burrs on laser-cut, waterjet-cut and punched products.
- ✦ Processable materials: stainless steel, steel, aluminium, copper, etc.
- ✦ Removal of large burrs, laser oxide and finishing of surfaces in one pass.
- ✦ Edge rounding and finishing of metal with brushes.
- ✦ Removal of oxide skin with metal wire brushes.

Available configurations (mm):

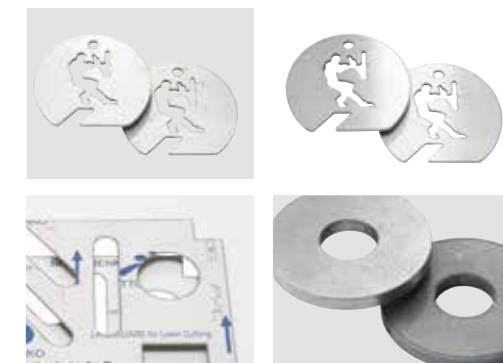
WRB	600	14 kW / 40 A
WRBW	600	18 kW / 50 A

Specifications:

Number of heads	2 - 3
Head types	wide belt, rotary brush
Working width	600 mm
Number of brushes	4 (quick change brush system)

Specifications:

Table opening	1 - 100 mm
Transport speed	0.5 - 8 m/min
Brush dimensions	315 x 300 mm
Contact roller diameter	150 mm
Applications	deburring, edge rounding, laser oxide removal, finishing



THE 31 SERIES FOR WET DEBURRING AND FINISHING

The 31 series deburring and finishing machine is available in a width of 450 mm and 900 mm. The machine is suitable for deburring and finishing of heat sensitive materials.



Two working widths and innumerable possibilities

The 31 series can be equipped with a powerful grinding belt and a brush head. It is therefore the ideal machine for grinding and finishing square pipes and sheet metal.

The 31 series, a Timesavers finishing machine

This machine has an integrated coolant filter system to cool the metal products during machining. This ensures that the abrasive belt's service life is extended. The wet-working system uses filter paper to filter the coolant before it is recirculated. An integrated dryer dries the metal products while they are exiting the machine.

Optimum machining process in combination with ease of use

The 31 series is the ultimate machine for fast and efficient deburring and finishing. The machine can be easily operated thanks to a clear control panel. The finishing level is one of the reasons why the 31 series is so popular.

Contact Timesavers' experts for professional advice.



Available configurations (mm):

W	450	900
WB	450	900
WW	450	900
WWB	450	900
WBB		900

Specifications:

Number of heads	1 - 3
Head types	wide belt, brush
Working width	450, 900 mm
Abrasive belt length	1525 mm

Specifications:

Table opening	1 - 150 mm (900 mm), 1 - 200 mm (450 mm)
Height of fixed table	980 mm
Transport speed	2.5 - 14 m/min
Brush diameter	150 mm
Contact roller diameter	150 mm

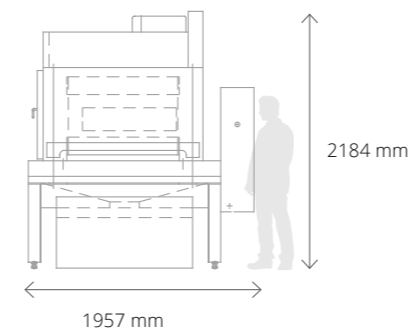


STANDARD VERSION:

- ✦ Built-in paper band filter and coolant tank with circulation pump.
- ✦ Transport table with a fixation system.
- ✦ Automatically adjustable table opening. 450 wide: 1 - 200 mm | 900 wide: 1 - 150 mm.
- ✦ Digital thickness readout in mm, on display.
- ✦ Transport speed from 2.5 - 14 m/min.
- ✦ Integrated drying with air knives and squeeze rollers.

APPLICATIONS AND BENEFITS:

- ✦ Removing burrs on laser-cut, waterjet-cut and punched metal parts.
- ✦ Processable materials: stainless steel, aluminium, copper, titanium, etc.
- ✦ Deburring and finishing of surfaces in one pass.
- ✦ Processing with abrasive belt and possibly brush.
- ✦ Optimal production process and ease of use.



32

RB SERIES

THIS VERSATILE MACHINE OFFERS THE PERFECT PRICE-PERFORMANCE RATIO

The 32 RB series is the mid-sized rotary brush machine for deburring, edge rounding, laser oxide removal and finishing of different materials.



2MM RADIUS

Efficient all-in-one solution

This 32 RB series forms the standard in processing a broad range of materials. From slag removal and deburring to edge rounding and laser oxide removal. Finishing can be done with the rotary brushes or an abrasive belt at the end. These applications can be achieved in one pass. With features like a vacuum table and a magnetic track for small parts, this machine offers versatility in its usage.

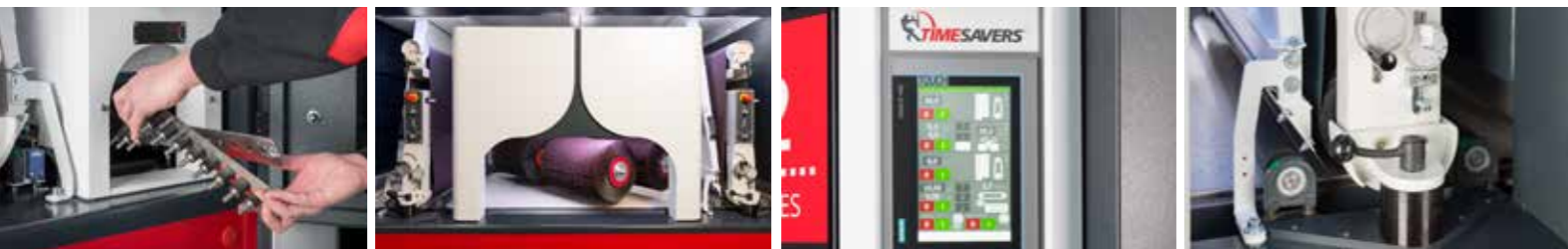
Intuitive and easy operation

User comfort and ease of use has been a priority in the design of this deburring machine. The HMI touchscreen is clear and simple to understand. Other advantages are the low consumable usage, the energy efficiency and the optimal price-quality ratio. With the angled control panel and the large windows the machine operator will have maximum visibility of the process.

Find your solution

This 32 RB series offers the same innovative technologies found in the popular 42 RB series. Only with four rotary brushes and a working width of 1100 mm. Applications can be specifically chosen for each product batch. That makes it a perfect, versatile solution for processing different sheet metal parts.

Contact Timesavers' experts for professional advice.

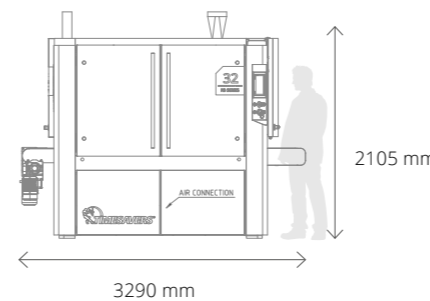
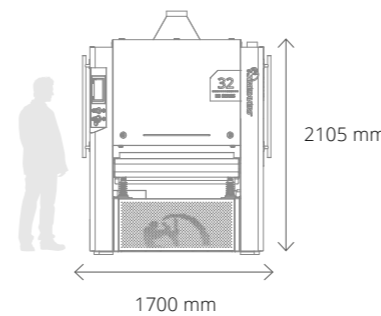


Available configurations (mm):

RB	1100	12.5 kW / 35 A
WRB	1100	17 kW / 48 A
RBW	1100	17 kW / 48 A
WRBW	1100	28 kW / 72 A
WWRB	1100	28 kW / 72 A
HWRB	1100	31 kW / 81 A

Specifications:

Number of heads	1 - 3
Head types	wide belt, rotary brush, hammerhead
Working width	1100 mm
Number of brushes	4 (quick change brush system)



STANDARD VERSION:

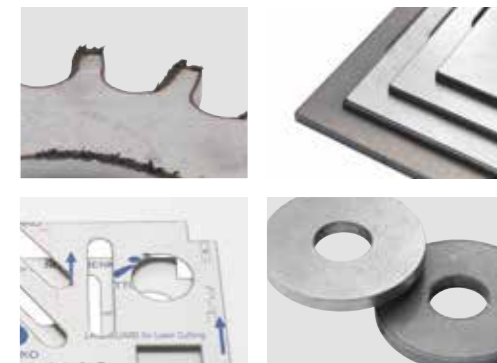
- + Machine working width: 1100 mm.
- + Efficient ergonomic operation through user-friendly Siemens HMI (positioned at 45° for a good overview of the treatment process).
- + Vacuum table for processing small products (50 x 50 mm).
- + Vacuum table with an integrated cleaning cycle.
- + LED bar on the input side indicating the machine status.
- + Frequency controlled motors (roller, brush and carousel) for flexibility during the process.
- + Product overthickness protection.
- + Easily changeable brushes.
- + Various brush types are available for multifunctional use of materials (e.g. flap or metal wire brushes).
- + Adjustable table opening 1 - 100 mm.
- + Transport speed from 0.2 - 8 m/min.
- + CE-certified.

APPLICATIONS AND BENEFITS:

- + Compact rotary brush machine.
- + Brush contact distance of 1300 mm.
- + The four brushes have a total of 28 m² of abrasive material.
- + Removal of burrs on e.g. laser-cut, waterjet-cut, punched products, etc.
- + Processable material: stainless steel, steel, aluminium, copper, etc.
- + Removal of burrs, edge rounding, laser oxide and slag removal, and finishing of surfaces in one pass.
- + Low tooling costs and very low energy consumption.
- + Maximum user-friendliness and an optimal observation process.

Specifications:

Table opening	1 - 100 mm
Transport speed	0.2 - 8 m/min
Brush dimensions	530 x 350 mm
Contact roller diameter	150 mm
Applications	deburring, edge rounding, laser oxide removal, heavy slag removal, finishing



42

RB SERIES

42 RB SERIES FOR ULTIMATE DEBURRING, FINISHING, EDGE ROUNDING, LASER OXIDE AND HEAVY SLAG REMOVAL

Discover the most popular machine, the Original, for uniform deburring, edge rounding and finishing sheet metal. Available in a working width of 1350 mm and 1600 mm.



2MM RADIUS

Uniform results

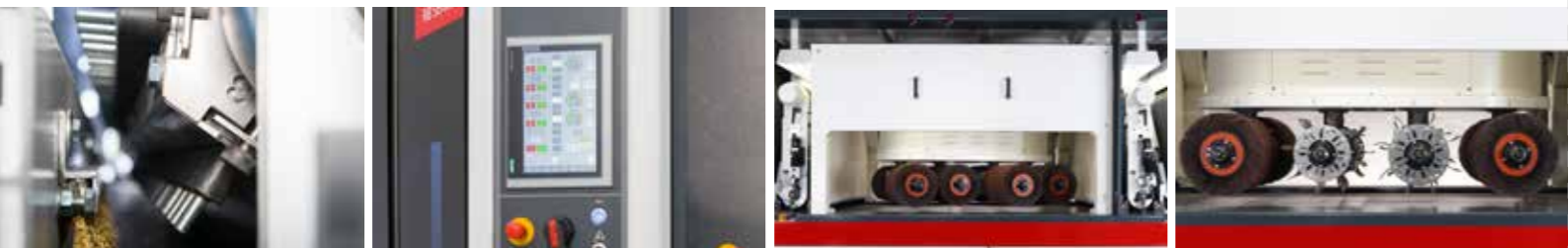
The 42 RB series was the first Timesavers machine introduced with the rotary brush. This innovative technology has completely changed the standards of sheet metal edge rounding. It is now the top choice among Timesavers machines, efficiently performing all applications in a single pass. The eight rotary brushes can create a uniform radius of 2 mm on mild steel and even larger on softer material like aluminium.

Solution for any application

Each of the machine heads can be operated separately, which is particularly useful when processing different types of products. The rotary brushes are excellent for achieving a non-directional finish or rounding the edges of 3D parts or parts with protective films. This versatility allows for precise selection of the applications needed for each specific task.

New features!

The 42 RB series has been improved with a smart design to increase safety and insight. Notably, the HMI has been upgraded with a 3D interface and the possibility to store up to 500 deburring programmes. This reduces operator errors. Additionally, the machine now features connectivity options, including two USB ports for integrating thickness meters or barcode scanners, as well as the ability to connect with IXON. This RB machine can be set in ECO-mode, power mode or standby, based on the performance needs. Contact Timesavers' experts for professional advice.

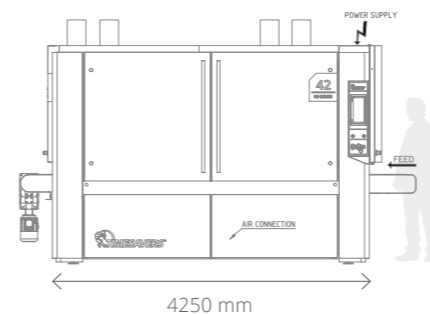
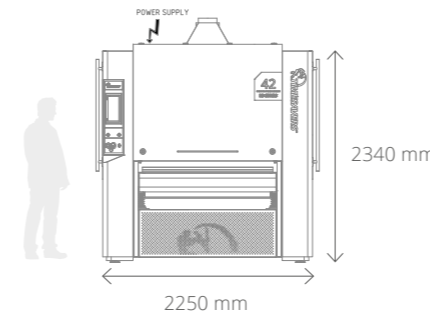


Available configurations (mm):

RB	1350	1600
WRB	1350	1600
RBW	1350	1600
WRBW	1350	1600
WWRB	1350	1600
WWRBW	1350	1600
HWRB	1350	1600

Specifications:

Number of heads	1 - 4
Head types	rotary brush, wide belt, hammerhead
Working width	1350, 1600 mm
Number of brushes	8 (quick to change brush system)



STANDARD VERSION:

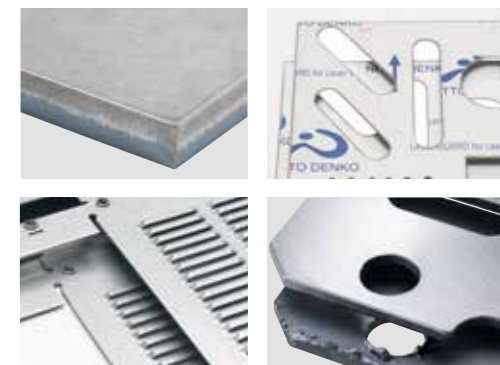
- + Ergonomic positioned and user-friendly control panel (located at 45° for a good overview of the treatment process).
- + Motorised adjustable table opening from 1 - 100 mm.
- + Product overthickness protection.
- + Rotating brush carousel equipped with four counterclockwise and four clockwise rotating brushes.
- + Frequency-controlled grinding heads and a conveyor belt with an adjustable feed speed of 0.2 - 8 m/min.
- + Product overthickness protection.
- + Window doors, illuminated interior and optional camera's for process observation.
- + Brushes with an extremely long service life of up to 3000 hours.
- + LED bars on the input and output to indicate machine status.
- + Available with 1, 2, 3 or 4 heads.
- + Vacuum table with an automatic cleaning cycle.
- + Quick change system for brushes and belts.
- + CE-certified.

APPLICATIONS AND BENEFITS:

- + The brush contact distance of 42 RB series is 1750 mm.
- + The eight brushes have a total of 53 m² of abrasive material.
- + Processing of mixed materials with optional wet dust extraction.
- + Treatment of small parts (50 x 50 mm) possible with the standard vacuum table.
- + Removal of burrs that are caused by laser, plasma or water jet cutting and embossed parts in one go.
- + Flat, formed and 3D parts with protrusions.
- + Preliminary removal of large burrs and finishing of surfaces.
- + Processable materials: stainless steel, steel, aluminium, copper, etc.
- + Deburring Zintec, galvanised and plated material.
- + Use of Cobots integration in an Industry 4.0 / Smart industry software platform.

Specifications:

Table opening	1 - 100 mm
Transport speed	0.2 - 8 m/min
Brush dimensions	530 x 350 mm
Contact roller diameter	180, 280 mm
Applications	deburring, edge rounding, laser oxide removal, heavy slag removal, finishing



OVERVIEW OF 42 RB SERIES CONFIGURATIONS

These pages provide insight into the possibilities of the 42 RB series. Timesavers has listed all machine heads including the application possibilities for you.



Regardless of what your requirements or preferences may be: Timesavers has the solution
 Timesavers serves customers in many industries and sectors and strives to achieve the greatest flexibility in several areas. Timesavers' customers can count on: quality, service and innovative and problem-solving capacity. Therefore, always contact Timesavers if you want to exchange ideas and discuss your requirements with regard to perfect deburring, edge rounding and finishing. Our professional experts will help you further.

- + Perfect edge rounding (radius of up to 2 mm).
- + Low tooling costs.
- + Different thicknesses can be machined simultaneously.
- + Suitable for different materials such as stainless steel, aluminium, Zintec, etc.
- + Suitable for deburring small (50 mm) and large parts.
- + Can be integrated into an (existing) production process.



+ Deburring



+ Finishing



+ Edge rounding

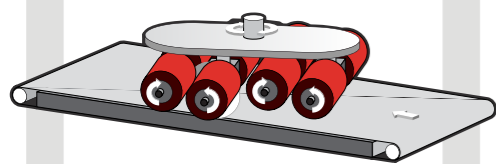


+ Slag removal



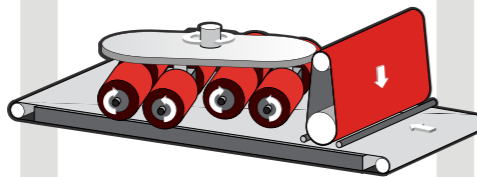
+ Oxide skin removal

RB



- + Deburring
- + Edge rounding
- + Laser oxide removal

WRB

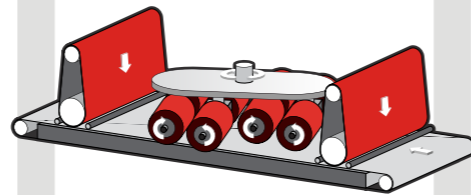


- + Deburring
- + Edge rounding
- + Laser oxide removal

EXTRA HEAD FOR:

- + Pregrinding

WRBW

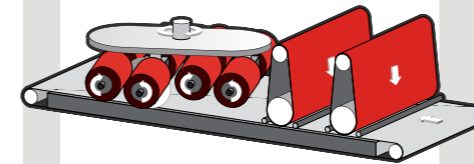


- + Deburring
- + Edge rounding
- + Laser oxide removal

EXTRA HEAD FOR:

- + Pregrinding
- + Finishing

WWRB

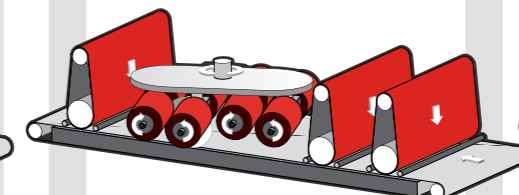


- + Deburring
- + Edge rounding
- + Laser oxide removal

EXTRA HEAD FOR:

- + Pregrinding
- + Large burr removal

WWRBW

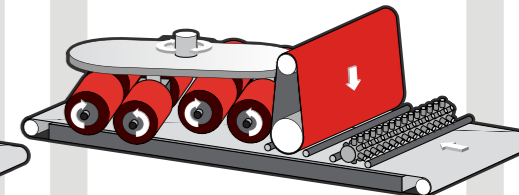


- + Deburring
- + Edge rounding
- + Laser oxide removal

EXTRA HEAD FOR:

- + Pregrinding
- + Large burr removal
- + Finishing

HWRB



- + Deburring
- + Edge rounding
- + Laser oxide removal

EXTRA HEAD FOR:

- + Pregrinding
- + Large burr removal

THE 62 SERIES: FOR FINISHING COLD ROLLED STAINLESS STEEL SHEETS

The 62 series offers a complete solution for finishing stainless steel sheets. Two different working widths are available: 1350 mm and 1600 mm.



Achieve the desired finish

The 62 series machine can be equipped with up to three machine heads. There is a suitable configuration for any required finish. Various finishes, including no. 3, no. 4 and duplo, can be attained in one machine. For a duplo finish, use a grinding belt followed by a Scotch-Brite brush for a fine surface. Even thin sheets of 0.4 mm can be ground and finished thanks to the roller table's special construction.

Turnkey solutions

We can also supply the ancillary equipment. Timesavers organises, installs, instructs and provides a perfect working machine-line. Examples include:

- + Roller conveyors and tables.
- + Automatic stacking/de-stacking units.
- + PVC-coating machines.
- + Dust extractors for dry grinding machines.

Do you want to know more about this Timesavers machine and our service?

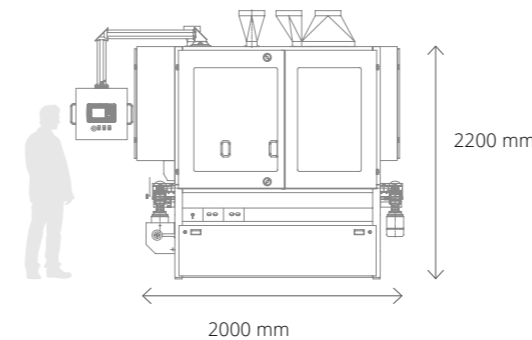
Contact Timesavers' experts for professional advice.

STANDARD VERSION:

- + Centrally programmable HMI Siemens control panel.
- + Wide belts with a fine adjustment of the contact rollers (diameter of 220 mm).
- + Frequency controlled main motors on W-head for all possible finishes.
- + Scotch-Brite brush heads with fast oscillation of up to 700 strokes per minute: frequency controlled main motor, brush outer diameter of 350 mm, motorised height adjustment with quick exchange brush system.
- + Roller table construction with hardened steel counter roller under the contact roller for finishing thin sheets from 0.4 mm (need of an additional package).

APPLICATIONS AND BENEFITS:

- + No. 3 or no. 4 finishing with abrasive belts from grit 120, 180 to even 240 and 320.
- + Brush / microlon finishing with Scotch-Brite brushes or with Scotch-Brite belts.
- + Duplo finish; a combination of finishing with grinding belts and Scotch-Brite brush(es).
- + Can be purchased as a turnkey project.



Available configurations (mm):

WWB	1350	1600
WW	1350	1600
WB	1350	1600
BB	1350	1600

Specifications:

Number of heads	1 - 3
Head types	wide belt, brush
Working width	1350, 1600 mm

Specifications:

Table opening	1 - 50 mm
Transport speed	4 - 20 m/min
Brush diameter	350 mm
Adjustable contact roller diameter	220 mm
Applications	grinding, finishing of stainless steel sheets

+ Duplo finish

+ Microlon finish

+ No. 4 finish

THE 71/72 SERIES FOR 'COIL-TO-COIL' LINE: WET OR DRY

In addition to top working machines, bottom working machines can be integrated in the production line. Finishing of cold and hot rolled sheets is also possible with this machine.



Finishing of sheet metal rolls

Timesavers provides wet working machines (71 series) and dry working machines (72 series) for finishing. The selection of series depends on the type of metal that needs to be processed and the required results. Both are designed to perform day-in, day-out, year-in and year-out. They ensure reliable and perfectly finished results. With a production speed up to 30 m/min, these machines form a fast and efficient grinding solution.

Timesavers provides advice, delivers, installs and offers backups

If required we can deliver turnkey projects that can include, for example, a leveling machine, decoiler, coiler, a PVC-coating machine, roller tables and/or stackers.

With experienced support from the design phase up to and including delivery. Additional examples include:

- + Dust extractors for dry finishing machines.
- + Water filter units for wet finishing machines.
- + In other words a complete 'coil-to coil' finishing line.

Do you want to know more?

Contact Timesavers' experts for professional advice.

Available configurations (mm):

WW	1350	1600	2100
WB	1350	1600	2100
BB	1350	1600	2100

Specifications:

Number of heads	1 - 2
Head types	wide belt, brush
Working width	1350, 1600, 2100 mm

+ Hairline finish

STANDARD VERSION:

- + Centrally programmable HMI Siemens control panel.
- + Wide belts with a fine adjustment of the contact rollers (diameter of 280 mm).
- + Frequency controlled main motors on W-head for all possible finishes.
- + Hairline finishing machine with endless grinding belt for ease of operation and perfect straight line.
- + Scotch-Brite brush heads with fast oscillation of up to 500 strokes per minute: frequency controlled main motor, brush outer diameter of 400 mm, motorised height adjustment with quick exchange brush system.
- + Roller table construction with hardened steel counter roller under the contact roller for finishing thin sheets from 0.5 mm.
- + 71 series a wet working machine and 72 series a dry working machine.

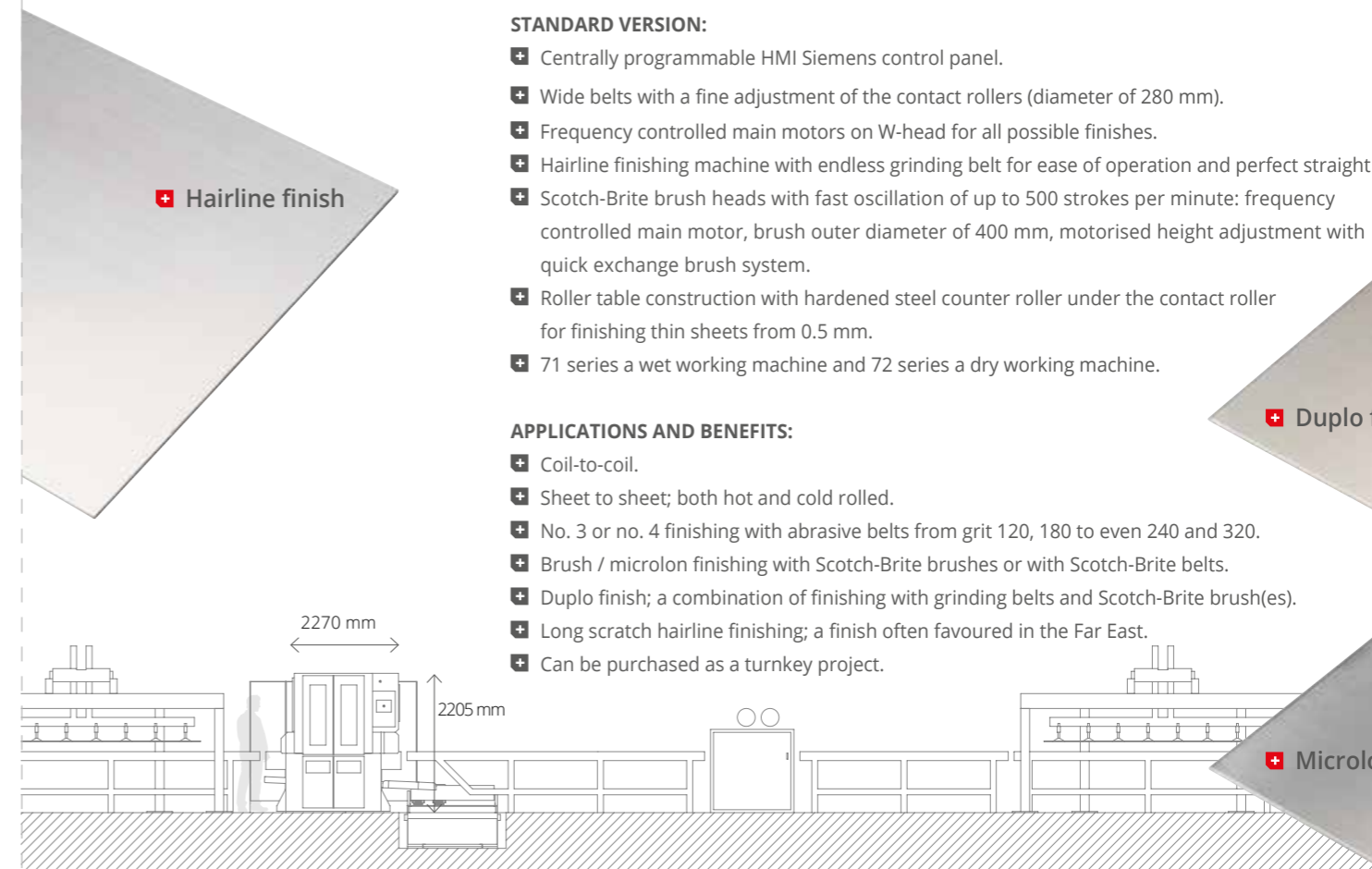
APPLICATIONS AND BENEFITS:

- + Coil-to-coil.
- + Sheet to sheet; both hot and cold rolled.
- + No. 3 or no. 4 finishing with abrasive belts from grit 120, 180 to even 240 and 320.
- + Brush / microlon finishing with Scotch-Brite brushes or with Scotch-Brite belts.
- + Duplo finish; a combination of finishing with grinding belts and Scotch-Brite brush(es).
- + Long scratch hairline finishing; a finish often favoured in the Far East.
- + Can be purchased as a turnkey project.

+ Duplo finish

+ Microlon finish

+ No. 4 finish



Specifications:

Table opening	1 - 50 mm
Transport speed	0 - 30 m/min
Brush diameter	400 mm
Adjustable contact roller diameter	280 mm
Applications	grinding, finishing of stainless steel sheets or coils

THE 81 SERIES: THE INNOVATIVE SOLUTION FOR PRECISION GRINDING



The Dutch built 81 series machine is Timesavers' innovative solution for precision metal grinding.



Precision grinding up to 0.02 mm? No problem with the Timesavers 81 series

This machine uses wide grinding belts with a tight tolerance and is used for the precision grinding of titanium, molybdenum, stainless steel, aluminium/nickel alloys, carbon steel and more. The machine grinds these metals with a precision of no less than 0.02 mm.

The Timesavers precision grinding machine: totally tailor made

Every variant from the 81 series is produced especially based on customer requirements. Precision grinding is performed by a wide belt that grinds the thickness of a part to achieve a fixed thickness. The Timesavers 81 series has a conveyor belt, a roller table or a reciprocating table, coupled with high grinding power to make this precision grinding possible. All executions in this machine range will have air knives to keep the coolant in the machine. In addition to this, a mist filter will remove small coolant particles out of the air. The machine is executed with servo drives for accurate positioning.

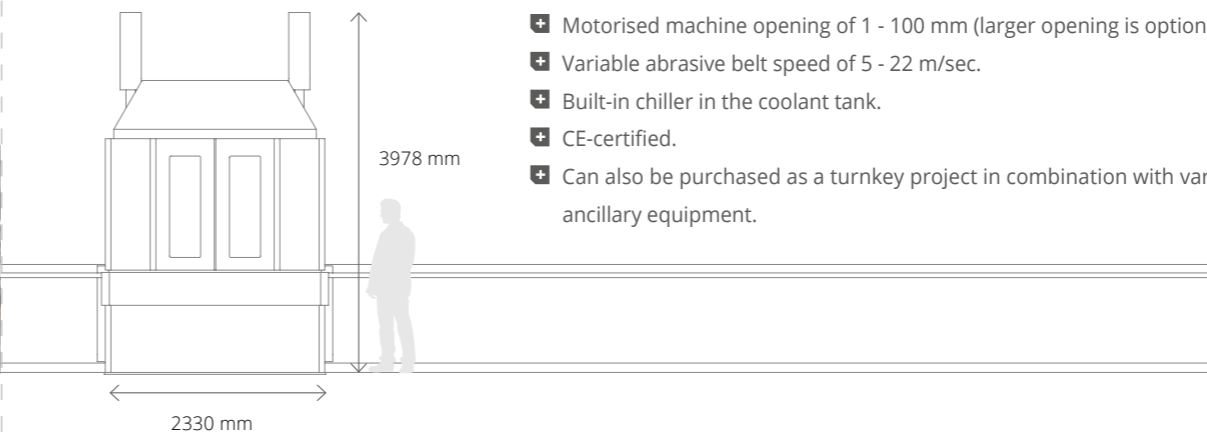
Timesavers offers know-how and a far-reaching service

We also, for example, offer turnkey solutions where the handling of all ancillary equipment is organised and installed for you. Examples include:

- + Roller conveyor and tables.
- + Automatic stacking and de-stacking units.
- + Coolant filter units for wet grinders.
- + Turnover unit.

STANDARD VERSION:

- + Precision grinding of titanium, molybdenum, stainless steel, nickel/aluminium alloys, and carbon steel.
- + Grinds material to a predetermined thickness: flat, tapered or U shaped.
- + Removes up to 0.2 mm per grinding stroke depending on the material.
- + Accuracy of +/- 0.02 mm.
- + Suitable for materials with thicknesses of 0.25 mm to 100 mm.
- + Central control panel mounted on the machine or as a desk.
- + Siemens HMI with pre-programmable settings.
- + Integrated belt optimization program for maximum use of the grinding belt capabilities.
- + Possibility to grind in both directions.
- + Wet version with integrated spray to separate dirt and fine dust.
- + Integrated vacuum system with safety features.
- + One or more vacuum segments that can be operated individually.
- + Quick exchange system for the grinding belt.
- + Motorised machine opening of 1 - 100 mm (larger opening is optional on request).
- + Variable abrasive belt speed of 5 - 22 m/sec.
- + Built-in chiller in the coolant tank.
- + CE-certified.
- + Can also be purchased as a turnkey project in combination with various types of ancillary equipment.



Available configurations (mm):

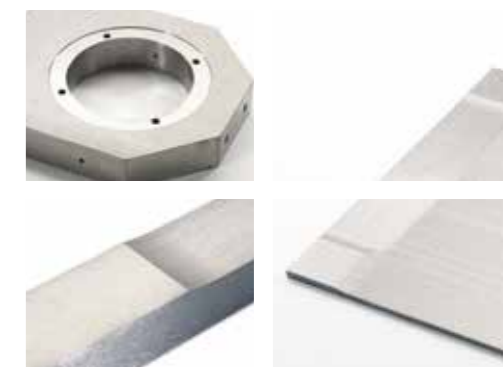
W	600	1000	1600	2100	2600
WW	600	1000	1600	2100	2600
WB	600	1000	1600	2100	2600
BB	600	1000	1600	2100	2600

Specifications:

Number of heads	1 - 2
Head types	wide belt, brush
Working width	600, 1000, 1600, 2100, 2600 mm

Specifications:

Table opening	1 - 100 mm
Transport speed	1 - 10 m/min
Applications	precision grinding



81 SERIES TABLE EXECUTIONS

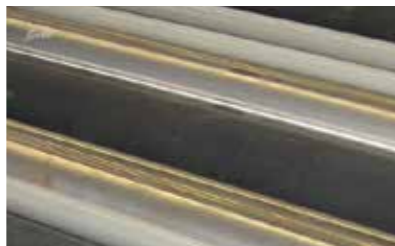


Conveyor belt

Precision grinding can be done with a transport speed of 0.1 up to 10 m/min when using a conveyor belt. Optional is a transport feed from 0.1 up to 20 m/min. Besides that, the conveyor belt is oil and heat resistant. Plates could have a minimum thickness from 0.8 mm up to a maximum thickness of 100 mm.

The conveyor belt is used when you have thicker material and when the material is not totally straight in length direction. The conveyor belt will give support for the low spots and the end result will be a homogeneous finish. The material will reciprocate during the grinding process over the conveyor belt and the grinding will be done in both directions to get maximum stock removal per cycle.

- + Also capable of grinding material with various shapes.
- + Accuracy of +/- 0.07 mm.
- + Specially produced for sheet and plate material and has to be connected to infeed and outfeed tables.



Roller table

The roller table is executed with hardened steel billy rollers which guarantee a very constant grinding result. The minimum thickness of a plate could be 0.4 mm up to a maximum thickness of 20 mm. If the material is thicker than 4 mm, it must be levelled in both length and width before grinding. The billy rollers make sure that there is a constant pressure under the full width of the material, resulting in a homogeneous finish and an accuracy of +/- 0.05 mm.

- + Can be used for both sheets and coils when the machine is connected to in and outfeed tables or to coil equipment.

Reciprocating table

By using a reciprocating table the most precise grinding can be reached. Possible for very thin plates with a minimum thickness of 0.25 mm up to plates with a maximum thickness of 100 mm. The product stays perfectly in place due to the vacuum system or the magnetic chuck. The table will have integrated channels on the side to remove swarf and coolant from the grinding area to the filter system.

The vacuum chuck mounted on top of the reciprocating table has multiple suction holes to accommodate one or multiple parts. The groove pattern can be adapted for the customers' needs. With the optional hydro pins, the plates can be either taken off with a sling or with a vacuum lifter.

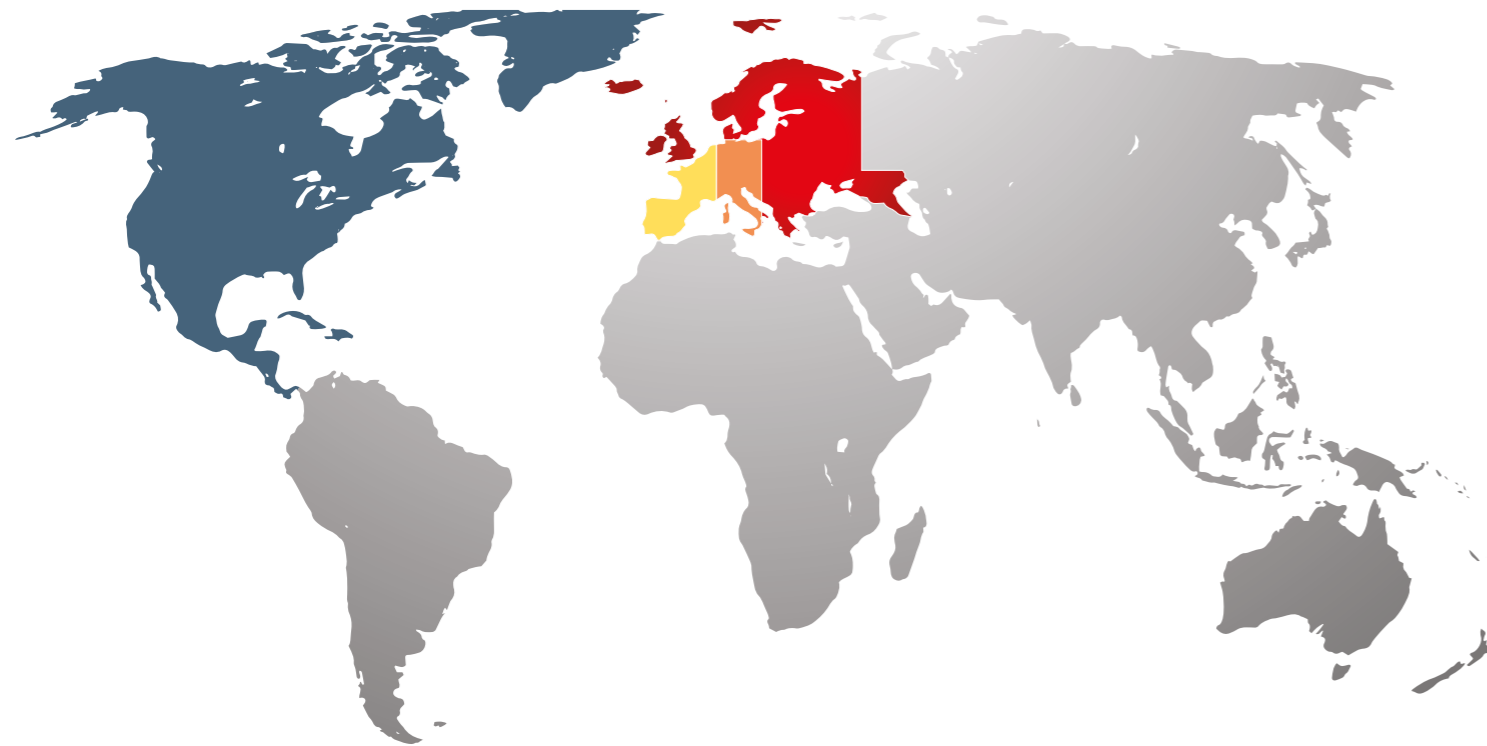
- + The table can also be executed with a magnetic chuck if the parts are from steel. This is an electro-permanent magnet to avoid heat production and to guarantee an accurate result.
- + The accuracy of this type of table is +/- 0.02 mm depending on the material that is machined.





TIMESAVERS ORIGINALS CONSUMABLES

Timesavers provides you original brushes and belts, that ensures that your machine continues to function without problems. When you purchase Timesavers original parts they come with a solid guarantee, to ensure they stand the test of time.



AREA SALES MANAGERS

Pascal Depondt
pdepondt@timesaversint.com
+31 6 38 82 23 14

Timesavers LLC
info@timesaversinc.com
+763 488 6600

Richard van Noordenne
rvnoordenne@timesaversint.com
+31 6 38 82 23 10

Ronald Raats
rraats@timesaversint.com
+31 6 38 82 23 11

Peter de Regt
pdregt@timesaversint.com
+31 6 38 82 23 12

Our support is always nearby!
Timesavers dealers are the application specialists near you. Because they know your market and customers, they can help you find the solution to your deburring or finishing challenge.

Of course, we also have our own Timesavers area sales managers. They are always on hand to answer your questions or help you find the right solution. No matter where you are located in the world.

Have a look at the map to see which area sales manager to contact for your country.



BRUSHES



boeck
ENTHUSIASTS IN TECHNOLOGY

Timesavers provides original spare parts and tooling, to ensure that your machine performs with the best results. Our brushes are supplied by Boeck GmbH.

MACHINE CLEANING



Cleaning the conveyor belt from dust is crucial for safety, optimal performance and quality. Therefore, Timesavers offers cleaning products in cooperation with Veidec and 3M.

BELTS



Timesavers opts for the best grinding results possible, and therefore offers high quality abrasive belts from 3M. Their grind technology is remarkable.

10

series

TIMESAVERS ORIGINALS OVERVIEW BRUSHES

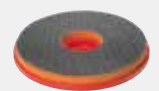









We offer various brush types for Timesavers 10 series machines, brushes for allround use and various materials up to and including brushes for optimal results on specific material.

12

RB series

TIMESAVERS ORIGINALS OVERVIEW R+ BRUSHES








We offer various brush types for the 12 RB series, brushes for allround use and various materials up to and including brushes for optimal results on specific material.

BRUSH TYPE	GRIT #	DIMENSION	ITEM NUMBER	APPLICATION	DELIVERY TIME
Media holder 	Hard	Ø 150 mm	00809000	Holder for pads. Hard for the removal of hard burrs. Medium for the removal of other (various) burrs.	2 weeks
	Medium	Ø 150 mm	00809001		
	Hard	Ø 162 mm	00809002		
	Medium	Ø 162 mm	00809003		
Grinding pad 	# 80	Ø 150 mm	00809100	Pregrinding, primary burr removal.	2 weeks
	# 120	Ø 150 mm	00809200	Increased grinding results.	
	# 80	Ø 162 mm	00809110		
	# 120	Ø 162 mm	00809210		
Scotch-Brite® pad 	# 180	Ø 150 mm	00809300	Pregrinding, light deburring and finish grinding. Increased grinding results.	2 weeks
	# 280	Ø 150 mm	00809400		
	# 180	Ø 162 mm	00809320		
	# 280	Ø 162 mm	00809420		
HERO 	# 80	Ø 150 mm	00809500	Primary and secondary burrs + strong edge roundings. Increased grinding results.	2 weeks
		Ø 162 mm	00809510		
Aluminium Oxide 	# 80	M: Ø 150 mm	00809600	Deburring and edge rounding of various metals. Increased grinding results.	2 weeks
		L: Ø 162 mm	00809310		
Zirconium 	# 80	M: Ø 150 mm	00809700	Deburring and strong edge rounding of stainless steel with bigger radius. Increased grinding results.	2 weeks
		L: Ø 162 mm	00809410		
Silicon carbide 	# 80	M: Ø 150 mm	00809800	Edge rounding and fine surface pattern for aluminium and plastic. Increased grinding results.	2 weeks
		L: Ø 162 mm	00809910		
Hammerhead 		Ø 150 mm	00809900	Removing slag/dross.	2 weeks
		Ø 162 mm	00816100	Increased deslagging results.	
Metal wire brush 		Ø 150 mm	00810600	Removal of oxide layers.	2 weeks
Aluminium Oxide flex strips 	Per MG brush strip	Ø 150 mm	00812000	Deburring and edge rounding of (galvanized) thin plates and parts. (23 strips per disc)	2 weeks
		Ø 150 mm	00812100		

Requests & orders: parts@timesaversint.com | www.timesaversint.com
Please mention your machine serial number with your request or order.

Only Use Timesavers Originals Spare Parts For The Best Results Every Time.



BRUSH TYPE	GRIT #	ITEM NUMBER	APPLICATION	DELIVERY TIME
Aluminium Oxide 	# 60 - 5&5 mm	59975121AO55060	Medium edge rounding and surface finishing of steel, aluminium and stainless steel. 3x5 mm flaps for parts with small inserts and 5x5 mm for larger parts.	2 weeks on stock
	# 80 - 5&5 mm	59975121AO55080		
	# 100 - 5&5 mm	59975121AO55100		
	# 100 - 3&5 mm	59975121AO35100		
	# 120 - 5&5 mm	59975121AO55120		
	# 120 - 3&5 mm	59975121AO35120		
Silicon Carbide 	# 180 - 5&5 mm	59975121SC55180	Medium edge rounding and surface finishing of aluminium. 3x5 mm flaps for parts with small inserts and 5x5 mm for larger parts.	2 weeks on stock
	# 180 - 3&5 mm	59975121SC35180		
Cross Flex Aluminium Oxide 	# 80 - 3&5 mm	59975121AOCF080	Non-directional finish and removal of milling marks for all types of metal.	2 weeks on stock
	# 120 - 3&5 mm	59975121AOCF120		
	# 180 - 3&5 mm	59975121AOCF180		
	# 240 - 3&5 mm	59975121AOCF240		
Zirconium 	# 80 - 5&5 mm	59975121ZI55080	Strong edge rounding.	on stock
	# 120 - 5&5 mm	59975121ZI55120		
Ceramic 	# 80 - 9&9 mm	59975125CE99080	Extreme deburring and edge rounding. 3x5 mm flaps for parts with small inserts and 5x5 mm for larger parts. 9x9 mm is used for even more rounding of outside edges.	2 weeks on stock
	# 80 - 5&5 mm	59975121CE55080		
	# 120 - 5&5 mm	59975121CE55120		
	# 120 - 9&9 mm	59975125CE99120		
	# 180 - 3&5 mm	59975121CE35180		
	# 180 - 5&5 mm	59975121CE55180		
Metal wire brush 	Adjustable	599754340000000	Adjustable brush for optimal oxide skin removal.	on stock
Flange assembly 	Front	00816300	Front flange 1 piece Back flange 1 piece (Free of charge with purchase of a brush)	on stock
	Back	00816200		

Requests & orders: parts@timesaversint.com | www.timesaversint.com
Please mention your machine serial number with your request or order.

Only Use Timesavers Originals Spare Parts For The Best Results Every Time.



TIMESAVERS ORIGINALS OVERVIEW BRUSHES

We offer various brush types for the 22 RB series or the 32 RB series ordered before July 2021, brushes for allround use and various materials up to and including brushes for optimal results on specific material.








Note! Suitable for 32 RB machine serial numbers:

2598-XX RB version before July 2021

2575-XX WRB version before July 2021

2592-XX RBW version before July 2021

2587-XX WRBW version before July 2021

BRUSH TYPE	GRIT #	ITEM NUMBER	APPLICATION	DELIVERY TIME
Aluminium Oxide 	# 80 - 3&5 mm # 100 - 3&5 mm # 120 - 3&5 mm # 180 - 3&5 mm	59943111AO35080 59943111AO35100 59943111AO35120 59943111AO35180	Medium edge rounding and surface finishing of steel, aluminium and stainless steel.	on stock on stock on stock on stock
Silicon Carbide 	# 180 - 3&5 mm	59943111SC35180	Medium edge rounding and surface finishing for aluminium.	2 weeks
Cross flex Aluminium Oxide 	# 80 - 3&5 mm # 120 - 3&5 mm # 180 - 3&5 mm # 240 - 3&5 mm	59943111CF35080 59943111CF35120 59943111CF35180 59943111CF35240	Non-directional finish and removal of milling marks for all types of metal.	2 weeks 2 weeks 2 weeks
Zirconium 	# 80 - 5&5 mm # 120 - 5&5 mm	59943111ZI55080 59943111ZI55120	Strong edge rounding.	on stock on stock
Ceramic 	# 80 - 5&5 mm # 120 - 5&5 mm	59943111CE55080 59943111CE55120	Heavy deburring and edge rounding.	2 weeks 2 weeks
Metal wire brush 	Non adjustable	59943433000000	Brush for optimal oxide skin removal.	on stock
	Adjustable	59943434000000		on stock
Flange assembly 		460623	4 x flanges, 16 x bolts. 1 set contains: 4 x flanges, 16 x bolts. (set is free of charge with purchase of a brush set).	on stock

Requests & orders: parts@timesaversint.com | www.timesaversint.com
Please mention your machine serial number with your request or order.

Only Use Timesavers Originals Spare Parts For The Best Results Every Time.



TIMESAVERS ORIGINALS OVERVIEW R+ BRUSHES

We offer various brush types for the new 32 RB series, brushes for allround use and various materials up to and including brushes for optimal results on specific material.




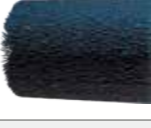




Note! Suitable for 32 RB series machine serial numbers:

2633-XX RB version after July 2021

2632-XX WRB version after July 2021

2626-XX WRBW version after July 2021

2635-XX HWRB version 2022

BRUSH TYPE	GRIT #	ITEM NUMBER	APPLICATION	DELIVERY TIME
Aluminium Oxide 	# 60 - 5&5 mm # 80 - 5&5 mm # 100 - 5&5 mm # 100 - 3&5 mm # 120 - 5&5 mm # 120 - 3&5 mm # 180 - 3&5 mm	59975121AO55060 59975121AO55080 59975121AO55100 59975121AO35100 59975121AO55120 59975121AO35120 59975121AO35180	Medium edge rounding and surface finishing of steel, aluminium and stainless steel. 3x5 mm flaps for parts with small inserts and 5x5 mm for larger parts.	2 weeks on stock on stock on stock on stock on stock 2 weeks
Silicon Carbide 	# 180 - 5&5 mm # 180 - 3&5 mm	59975121SC55180 59975121SC35180	Medium edge rounding and surface finishing for aluminium. 3x5 mm flaps for parts with small inserts and 5x5 mm for larger parts.	2 weeks on stock
Cross Flex Aluminium Oxide 	# 80 - 3&5 mm # 120 - 3&5 mm # 180 - 3&5 mm # 240 - 3&5 mm	59975121AOCF080 59975121AOCF120 59975121AOCF180 59975121AOCF240	Non-directional finish and removal of milling marks for all types of metal.	2 weeks on stock on stock 2 weeks
Zirconium 	# 80 - 5&5 mm # 120 - 5&5 mm	59975121ZI55080 59975121ZI55120	Strong edge rounding.	on stock on stock
Ceramic 	# 80 - 9&9 mm # 80 - 5&5 mm # 120 - 5&5 mm # 180 - 5&5 mm # 180 - 3&5 mm	59975125CE99080 59975121CE55080 59975121CE55120 59975121CE55180 59975121CE35180	Extreme deburring and edge rounding. 3x5 mm flaps for parts with small inserts and 5x5 mm for larger parts.	2 weeks on stock on stock on stock on stock
Metal wire brush 	Adjustable	599754340000000	Adjustable brush for optimal oxide skin removal.	on stock
Hammerhead 	Module (incl. 9 pins)	461530	Hammerhead for heavy slag removal. The complete Hammerhead unit. contains: 24 modules / 216 pins.	on stock
	Hammerhead pin	02209600		on stock
Flange assembly 	Set (Front & Back)	00816400	1 set contains; 4 x Front and 4 x Back flanges and 4 colour plugs (set is free of charge with purchase of a brush set). Front flange 1 piece Back flange 1 piece	on stock
	Front	00816300		on stock
	Back	00816200		on stock

Requests & orders: parts@timesaversint.com | www.timesaversint.com
Please mention your machine serial number with your request or order.

Only Use Timesavers Originals Spare Parts For The Best Results Every Time.



42









RB series

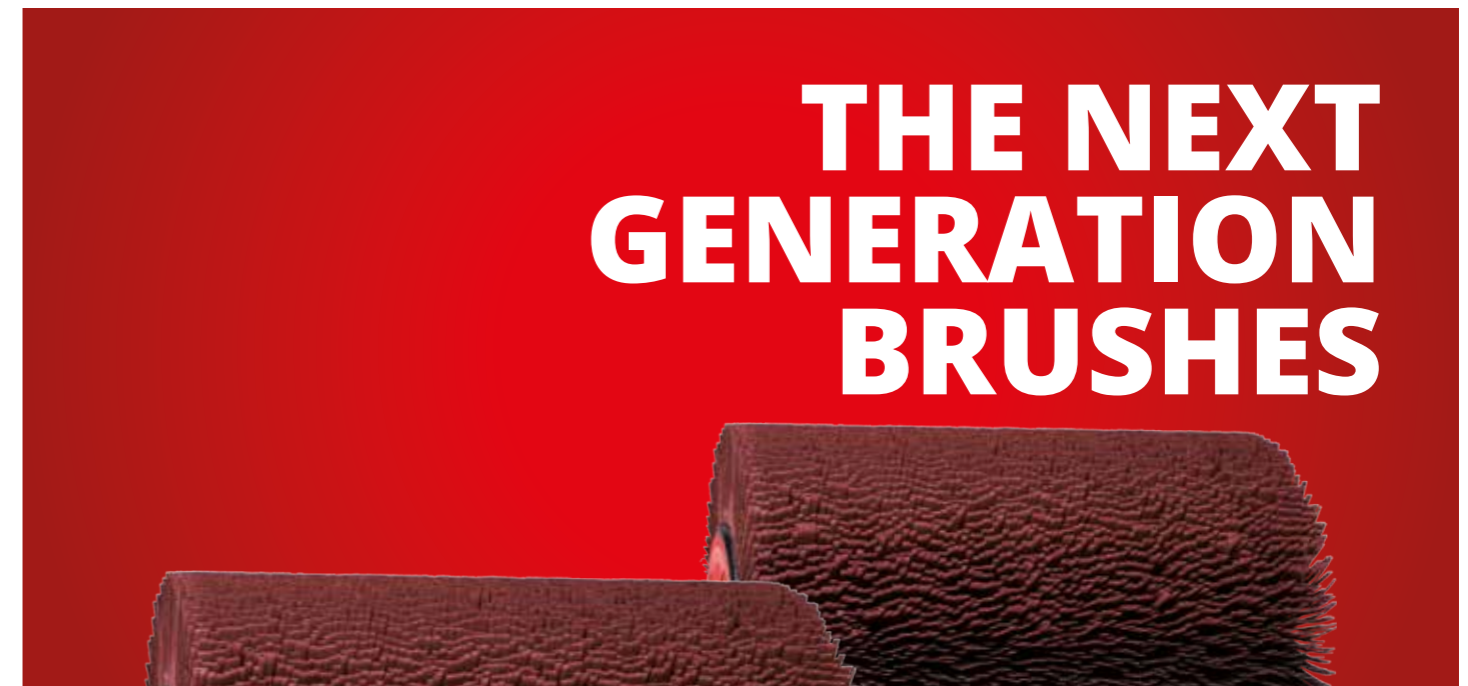
TIMESAVERS ORIGINALS OVERVIEW

R+ BRUSHES

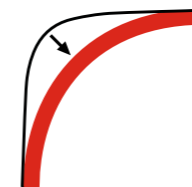
We offer various brush types for the 42 RB series, brushes for allround use and various materials up to and including brushes for optimal results on specific material.

Note! For brushes for 42 RB series with a working width of 1350 mm and 1600 mm.

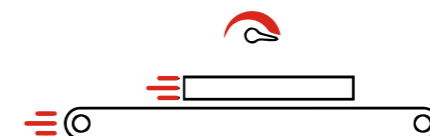
BRUSH TYPE	GRIT #	ITEM NUMBER	APPLICATION	DELIVERY TIME
Aluminium Oxide 	# 60 - 5&8.5 mm	59975121AO55060	Medium edge rounding and surface finishing of steel, aluminium and stainless steel. 3x5 mm flaps for parts with small inserts and 5x5 mm for larger parts.	2 weeks
	# 80 - 5&8.5 mm	59975121AO55080		on stock
	# 100 - 5&8.5 mm	59975121AO55100		on stock
	# 100 - 3&8.5 mm	59975121AO35100		on stock
	# 120 - 5&8.5 mm	59975121AO55120		on stock
	# 120 - 3&8.5 mm	59975121AO35120		on stock
Silicon Carbide 	# 180 - 5&8.5 mm	59975121SC55180	Medium edge rounding and surface finishing of aluminium. 3x5 mm flaps for parts with small inserts and 5x5 mm for larger parts.	2 weeks
	# 180 - 3&8.5 mm	59975121SC35180		on stock
Cross Flex Aluminium Oxide 	# 80 - 3&8.5 mm	59975121AOCF080	Non-directional finish and removal of milling marks for all types of metal.	2 weeks
	# 120 - 3&8.5 mm	59975121AOCF120		on stock
	# 180 - 3&8.5 mm	59975121AOCF180		on stock
	# 240 - 3&8.5 mm	59975121AOCF240		2 weeks
Zirconium 	# 80 - 5&8.5 mm	59975121ZI55080	Strong edge rounding.	on stock
	# 120 - 5&8.5 mm	59975121ZI55120		on stock
Ceramic 	# 80 - 9&8.9 mm	59975125CE99080	Extreme deburring and edge rounding. 3x5 mm flaps for parts with small inserts and 5x5 mm for larger parts. 9x9 mm is used for even more rounding of outside edges.	2 weeks
	# 80 - 5&8.5 mm	59975121CE55080		on stock
	# 120 - 5&8.5 mm	59975121CE55120		on stock
	# 120 - 9&8.9 mm	59975125CE99120		on stock
	# 180 - 3&8.5 mm	59975121CE35180		on stock
	# 180 - 5&8.5 mm	59975121CE55180		on stock
Metal wire brush 	Adjustable	599754340000000	Adjustable brush for optimal oxide skin removal.	on stock
Hammerhead 	Module (incl. 9 pins)	461530	Hammerhead for heavy slag removal. The complete Hammerhead unit contains: 30 modules / 270 pins.	on stock
	Hammerhead pin	02209600		on stock
Flange assembly 	Set (Front & Back)	00816500	1 set contains; 8 x Front and 8 x Back flanges and colour plugs in 4 colours. plugs (set is free of charge with purchase of a brush set) Front flange 1 piece Back flange 1 piece	on stock
	Front	00816300		on stock
	Back	00816200		on stock



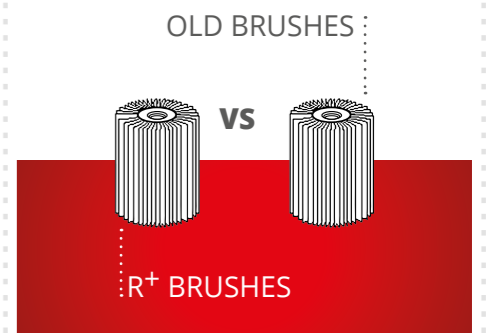
TO DOUBLE YOUR PRODUCTIVITY



DOUBLE THE RADIUS



DOUBLE THE FEEDING SPEED



WITH THE SAME HIGH LIFETIME

Requests & orders: parts@timesaversint.com | www.timesaversint.com
 Please mention your machine serial number with your request or order.



Only Use Timesavers Originals Spare Parts For The Best Results Every Time.

TIMESAVERS ORIGINALS OVERVIEW

MACHINE CLEANING

Cleaning the conveyor belt from dust is crucial for safety, optimal performance and quality. It makes sure that your products are kept in place during grinding, leading to consistent deburring results. Regular cleaning minimises downtime, maximises productivity and contributes to a more efficient process.



Super Foam

A unique foam cleaner and degreaser that quickly and efficiently cleans glass and other hard surfaces, like the doors and outside of the machine. Removes grease, dirt, nicotine, soot, tar and other contamination. Use a white, reusable microfiber cloth for Cleaning Foam.

- Green World cleaning product.
- Very easy to use and works anti-static.
- Leaves no residue, does not run and dries streak-free.
- White cloth for cleaning windows without leaving stripes.

Surface Duo Clean

A cleaning product consisting of water-based and effective surfactants with renewable fruit oils. Use a brush for large amounts of oil and grease. The product is safe on most substrates such as steel, stainless steel, aluminium etc. It cleans highly efficient surfaces of grease and oil (even burnt oil), pastes, graphite, rubber, bitumen, wax, proteins and other food industry residues.

- Environmentally friendly.
- Combines the benefits of both water and solvent based cleaners.
- Perfect replacement for traditional solvents and petroleum-based cleaning agents.
- 0% VOC and NSF classified.
- Required: Spray Bottle 1L.
- Blue cloth for cleaning oily and dirty surfaces.

Refillable Spray Bottle

A 3 bar pressure, refillable spray can for Duo Clean. Fills up to 1L with Duo Clean. Chemically and mechanically very durable with service intervals of up to 2 years.

- Adjustable nozzle: spray and concentrated jet.
- Label for legal and proper identification and marking.

Timesavers cleaning belt

Together with 3M, Timesavers has developed a non-woven cleaning belt. This durable belt is available in multiple sizes to fit the contact roller of each Timesavers RB machine.

- Soft, non woven fibers.
- Cleans surfaces gently, but thoroughly.
- No damage to surfaces.
- Long life.



Scan the QR code to watch the video on how to clean the conveyor belt.

PRODUCTS	SIZES	ITEM NUMBER	MOQ <small>Minimal Order Quantity</small>	DELIVERY TIME
Cleaning belt 12 RB series	330 x 1900 mm	007.12027.2	2	On stock
Cleaning belt 22 RB series	630 x 1900 mm	007.22029.2	2	On stock
Cleaning belt 32 RB series	1130 x 1900 mm	007.32029.2	2	On stock
Cleaning belt 42 1350 RB series	1380 x 1900 mm	007.42030.2	2	On stock
Cleaning belt 42 1600 RB series	1630 x 2150 mm	007.42129.2	2	On stock
Refillable Spray Bottle	1L	00149603	1	On stock
Surface Duo Clean box 5L	5L	00149601	1	On stock
Surface Duo Clean box 15L	15L	00149602	1	On stock
Faucet Surface Clean box	5/15L	00149604	1	On stock
Micro Max cloth (blue)	35 x 40 cm	00149606	5	On stock
Cleaning Foam spray can	500 ml	00149605	5	On stock
Micro Glass cloth (white)	40 x 40 cm	00149607	5	On stock

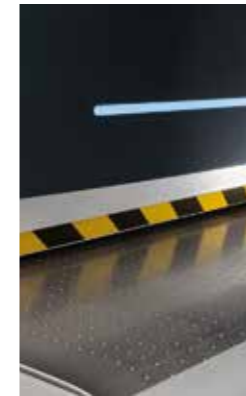
Requests & orders: parts@timesaversint.com | www.timesaversint.com
Please mention your machine serial number with your request or order.

Only Use Timesavers Originals Spare Parts For The Best Results Every Time.

TIMESAVERS ORIGINALS OVERVIEW

INSTRUCTIONS

Please follow the instructions for cleaning the conveyor belt. When the belt is clean, prepare the conveyor for production by using the follow-up steps.



STEP 1:

- Table opening to 10 mm.
- For 22/32 RB series, set the dial indicator to 0. Then manually turn the roller 4 mm up. **Remember the starting value.**
- Cleaning belt on the first W-head.
- For 22/32 RB series, turn the roller down again to the starting value.
- No fine adjustment needed, because the belt is thicker than a grinding belt.



Before you start

Make sure to use the listed products and follow the steps below. Fill the spray bottle with a litre Surface Cleaner. Scan the QR code for the video.

Necessities

- Surface Cleaner.
- Refillable Spray Bottle.
- Cleaning belt.



STEP 2:

- Set the correct parameters and **turn the conveyor cleaning brush off.**
- Turn vacuum and dust extractor off.** How? Log into settings (gear icon) with 4462. Set the vacuum and extractor to **inactive.** **Note!** Set this back to **active** when you are done cleaning.
- Once the conveyor belt is on, run the cleaning belt.



Parameters

- Cleaning belt 10 m/s
- Conveyor 2 m/min
- Motor load: 60 - 70%

STEP 3:

- Spray the liquid on the entire width of the conveyor belt. **Be careful not to use too much cleaning product.**
- After you have sprayed one metre of the conveyor, set the table opening to 4 mm.
- Regularly spray the conveyor belt again. Ensure that the motor load does not exceed 70%.

STEP 4:

- Keep spraying until the conveyor belt is white again. This can take 10 to 20 minutes.
- Take the cleaning belt off the W-head once you are done. **Note!** The first time you use the cleaning belt, there might be fibres coming off. When you are done cleaning, remove them from the machine.



Get it sticky again

After you have cleaned the conveyor belt from dust and grease, the belt can be slippery. Take the following steps to get the belt sticky again. Scan the QR code for the video.

Necessities

- Rotary brushes.



STEP 5:

- Set the correct parameters.
- Turn vacuum and dust extraction on.**
- Start the conveyor belt and brushes. Make sure the rotating brushes slightly touch the belt.
- Then set the table opening to 1 mm and run them for 15 - 20 minutes.

Now the conveyor is in its optimal condition for production.

Parameters

- Cleaning belt 14 m/s
- Conveyor 1 m/min
- Start position of table opening: 3 mm

Check: timesaversint.com Mail: parts@timesaversint.com Tel no.: +31 - (0)113 238911

BELTS

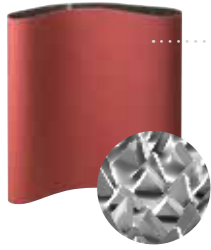
FOR DEBURRING



3M™ CUBITRON™ II CLOTH BELT 384F

3M™ Cloth Belt 384F is a general purpose, premium aluminium oxide cloth belt with an extra durable backing. Our belts feature fast-cutting abrasive grains that are resin-bonded to a durable X-weight polyester cloth backing. They are recommended for use on metal substrates and wood.

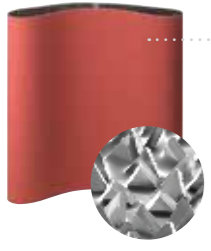
- ✦ Consistent, reliable performance on all substrates.
- ✦ Waterproof backing holds up for wet and dry applications.
- ✦ X-weight cloth backing withstands heavy sanding and grinding.
- ✦ Withstands high heat and pressure.
- ✦ Suitable for use on a backstand or benchtop belt sander, and for stroke sanding, portable belt grinding, and wide belt grinding and finishing.
- ✦ Choose from grades 36+ to 220+, and P320 - P400.



3M™ CUBITRON™ II CLOTH BELT 784F

3M™ Cubitron™ II Cloth Belt 784F features 3M Precision Shaped Grain. Our cloth belts are a precise mix of shaped ceramic and premium aluminium oxide. They have a flexible J-weight cotton backing and open coat construction. The belts also feature a waterproof backing and grinding aid. Precision-Shaped Grain wears evenly to provide exceptional durability with remarkable consistency. As the grain wears, it continuously fractures to form sharp points and edges that slice cleanly through the material.

- ✦ Up to two times longer life than comparable aluminium oxide belts, resists deterioration from heat.
- ✦ Consistent, faster results on medium pressure applications.
- ✦ Conformable for grinding and blending both straight and contoured surfaces.
- ✦ Grinding aid cools abrasive processes on heat-sensitive alloys.
- ✦ Suitable for wet and dry applications on all metals.
- ✦ For optimal durability and price value, YF weight polyester backing is used for Grades 36-80, while lighter XF weight polyester backing is used for Grades 120-180.
- ✦ Durable resin bond resists deterioration from heat, extending the life of the abrasive cloth.



3M™ CUBITRON™ II CLOTH BELT 984F

3M™ Cubitron™ II Cloth Belts 984F offer revolutionary performance with 3M Precision Shaped Grain that slices clean through metal. Our 984F belts contain a grinding aid, making it ideal for medium to high pressure applications. Precision-Shaped Grain wears evenly to provide exceptional durability with remarkable consistency. As the grain wears, it continuously fractures to form sharp points and edges that slice cleanly through the material.

- ✦ Minimise operator fatigue as 3M Precision Shaped Grain requires less grinding pressure.
- ✦ Cool running temperature reduces risk of discolouration and heat related stress cracks.
- ✦ 3M Precision Shaped Grain fractures into self-sharpening points, cutting exceptionally fast and increasing productivity.
- ✦ Belt life is increased, meaning more parts per belt for less belt changes.
- ✦ YF-weight backing is ideal for medium to high pressure stainless steel, cobalt chrome and nickel alloy applications.

FOR FINISHING



3M™ CLOTH BELT 461F*

3M™ Cloth Belt 461F is constructed of sharp silicon carbide abrasive that fractures easily and consistently produces an excellent finish for the duration of the belt life. This resin-bonded cloth belt gives you flexibility, durability, and consistent performance for grinding, blending, deburring, and finishing on all metals.

- ✦ Sharp silicon carbide mineral cuts faster than aluminium oxide and produces a consistent finish.
- ✦ Tough, water-resistant polyester backing supports wet or dry applications from heavy-duty grinding to fine finishing without tearing or nicking.
- ✦ Cloth backing provides flexibility.
- ✦ Heat-resistant resin coating bonds abrasive to backing for durability under pressure, heat, and water.
- ✦ Use on backstands for grinding and finishing applications.

* The best solution for deburring and finishing of aluminium.



SCOTCH-BRITE™ SURFACE CONDITIONING LOW STRETCH BELT SC-BL

For cleaning, finishing and light deburring use our durable and flexible Scotch-Brite™ Surface Conditioning Low Stretch Belt. Our belts offer effective cutting, while avoiding damage to substrates and are ideal for use on contoured and uneven surfaces. The belts perform best on steel, stainless steel, carbon, titanium, nickel alloys and may be used on aluminium, copper, brass and soft non-ferrous metals. They're available in a wide range designed to suit a variety of different applications. Scotch-Brite Surface Conditioning Low Stretch belts are engineered with aluminium oxide and silicon carbide minerals.

- ✦ Provides beautiful and consistent finish.
- ✦ Long life.
- ✦ Resists loading.
- ✦ Very forgiving.
- ✦ Low-stretch reinforced backing keeps the abrasive side taut and firm as it abrades the surface.
- ✦ Stretch-resistant backing.

Requests & orders: parts@timesaversint.com | www.timesaversint.com
Please mention your machine serial number with your request or order.

Only Use Timesavers Originals Spare Parts For The Best Results Every Time.

TIMESAVERS ORIGINALS

HANDLING

SPARE PARTS

Timesavers also offers solutions that enhance the performance of the machine and ease of use for the machine operator.

TABLES



Looking for even more efficiency? Timesavers buffer and return tables are excellent for one machine operator. The processed parts are gathered at the end of the machine or brought back to the front.

DUST EXTRACTOR



Powerful dust extraction is essential for the safety and health of employees, as well as the performance of the machine. With the extraction units from Timesavers' partner Absaugwerk GmbH, you can be assured of clean air.

BRUSH HOLDERS



Multiple sets of rotary brushes for applications or stock? Consider a brush holder to store your brushes in an orderly fashion. Recommended for the 22 RB series, 32 RB series and 42 RB series.

TIMESAVERS ORIGINALS OVERVIEW OUTFEED TABLE

This table is an extension of the in- and/or outfeed tables, designed to improve the efficiency and flexibility of the Timesavers machines during the process of loading and unloading.

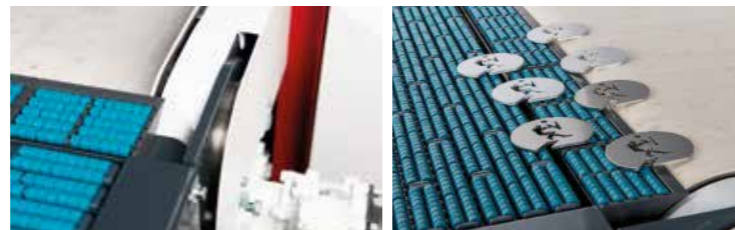


When loading the machine with metal products, there is often no one who takes out the processed ones. An outfeed table assures the parts will be gathered when processed and can be collected when desired. The operator does not have to walk to the back of the machine and can continue feeding parts, which saves time and increases productivity.

- Benefits:**
- Process more products on the machine.
 - Suitable for small and larger parts.
 - Table is on wheels, can be moved easily.
 - Improve operators efficiency.
 - When not required (or for maintenance) table can be unhooked from machine and relocated.
 - Foldaway stopper for longer products.
 - Durable table construction.
 - Strong rollers belt with a long lifetime.

- Restrictions:**
- Max. load per m²; up to 100 kg.
 - Min. dimensions parts 50 x 50 mm.
 - Table height: 850 mm.

Machine preparation



TIMESAVERS ORIGINALS OVERVIEW RETURN TABLE

A return table makes it possible to have one machine operator, because the parts will be brought back to the front of the machine.



Motorised execution
180° right curve directly out of machine + straight table length back to the frontside of machine.

Standalone installation
Speed of conveyor can be separately adjusted on cabinet at end of table. Emergency on/off buttons on table are connected to machine's buttons. It is possible for existing machines too, on request.

- Benefits**
- Process more products in the same time.
 - Increases operators' efficiency, because he can stay at one place and continue feeding parts.
 - Durable construction. Aluminium enforced carriage.
 - Strong conveyor belt. Low maintenance and long lifetime.

- Restrictions:**
- Max load per m²; up to 100 kg.
 - Standard machine opening 0 - 20 mm. Machine with constant pass 0 - 100 mm.
 - Straight table with curve; 180° to front of machine (incl. front table).
 - Belt speed: 0.5 - 8 m/min (incl. drive motor).
 - Table height: 900 mm.
 - Material with a thickness of more than 20 mm requires a constant working height.



Machine preparation



SERIES	SIZES	ITEM NUMBER OUTFEED TABLE	ITEM NUMBER MACHINE PREPARATION	DELIVERY TIME
22 600 RB series*	1000 x 600 x 850 mm	00138852	461918	12 weeks
	2000 x 600 x 850 mm	00138821	461918	12 weeks
	2000 x 600 x 850 mm height adjustable	00138856	461918	12 weeks
32 1100 RB series*	1000 x 1100 x 850 mm	00138853	461920	12 weeks
	2000 x 1100 x 850 mm	00138817	461920	12 weeks
	2000 x 1100 x 850 mm height adjustable	00138857	461920	12 weeks
42 1350 RB series*	1000 x 1350 x 850 mm	00138854	461922	12 weeks
	2000 x 1350 x 850 mm	00138818	461922	12 weeks
	2000 x 1350 x 850 mm height adjustable	00138858	461922	12 weeks
42 1600 RB series*	1000 x 1600 x 850 mm	00138855	461922	12 weeks
	2000 x 1600 x 850 mm	00138816	461922	12 weeks
	2000 x 1600 x 850 mm height adjustable	00138859	461922	12 weeks

Requests & orders: parts@timesaversint.com | www.timesaversint.com
Please mention your machine serial number with your request or order.

Only Use Timesavers Originals Spare Parts For The Best Results Every Time.

SERIES	SIZES	ITEM NUMBER 180° CURVE + TABLE	ITEM NUMBER MACHINE PREPARATION	DELIVERY TIME
22 600 WRB*	2500 x 600 x 850 mm	00138822	461926	20 weeks
22 600 WRBW**	3000 x 600 x 850 mm	00138823	461927	20 weeks
32 1100 RB*	2500 x 1100 x 850 mm	00138824	461928	20 weeks
32 1100 WRB/RBW/WRBW/RBW/ HWRB**	3000 x 1100 x 850 mm	00138825	461929	20 weeks
42 1350 RB*	4000 x 1350 x 850 mm	00138826	461930	20 weeks
42 1350 WRB/WRBW/ WWRBW/ RBW/HWRB**	4500 x 1350 x 850 mm	00138831	461931	20 weeks
42 1600 RB*	4000 x 1550 x 850 mm	00138834	461937	20 weeks
42 1600 WRB/WRBW/HWRB**	4500 x 1550 x 850 mm	00138835	461938	20 weeks

* other executions required if machine equipped with; constant pass, conveyor cleaning brush, mirrored execution

** machine preparation executed for conveyor cleaning brush execution

Requests & orders: parts@timesaversint.com | www.timesaversint.com
Please mention your machine serial number with your request or order.

Only Use Timesavers Originals Spare Parts For The Best Results Every Time.

TIMESAVERS ORIGINALS OVERVIEW DUST EXTRACTOR

Dust, sparks and gases arise during the deburring process, thus it is important to maintain a dust free working environment to protect the health of employees and increase the service life of machinery.



Wet separators of the Serie B have been specially designed for the separation of materials, which during processing produce flying sparks, are flammable or even explosive (ATEX).

The Serie B has a revolutionary flow technology with a 50% higher suction power and maximum separation efficiency with low energy and water consumption.

The interior of the system is easily accessible via four inspection openings and saves valuable time in cleaning and maintenance. The innovative technology is also reflected in the design and is unique in the industry.

UNIT COMPONENTS

Filter

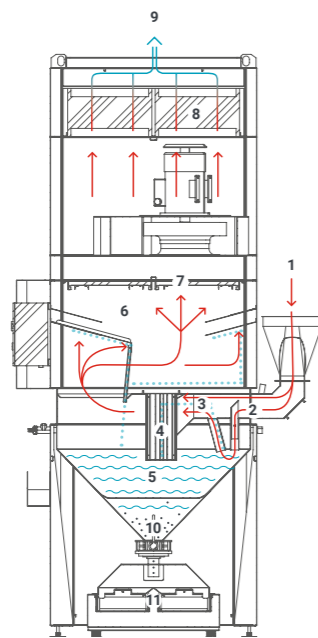
- ✦ Cleanable stainless-steel metal mesh.
- ✦ Multiple filter stages for maximum degree of separation.
- ✦ Robust quality filters.
- ✦ Long filter service lifetime.

OPTIONS & CONFIGURATIONS

- ✦ ATEX-/fire protection execution needed when processing aluminium.
- ✦ HEPA H14 filter for fine, toxic and hazardous dust particles.
- ✦ Pinch valve.
- ✦ Versatile noise protection by means of galvanized silencer.
- ✦ Ducting between extractor and machine.

OPTIONS FOR DISCHARGE

- ✦ Discharge hose.
- ✦ Containers in different sizes depending on type of extraction unit.



1. SUCTION NOZZLE
Dust and chips from the air are sucked in.
2. BAFFLE PLATE
The substances are directed downwards over a baffle into the water. 25% of the air flow moves upwards.
3. WATER WALL
The negative pressure causes the water to be sucked upwards.
4. A wall of water is formed which binds the residual dust.
5. LAMELLA PRE-SEPARATOR
The air continues to flow through a pre-separator. The special shape of the lamellas separates the air from the water.
6. CONE
The substances bound in the water settle to the bottom of the cone. Rounded corners prevent deposits.
7. CALM CHAMBER
The residual water is intercepted in a stilling chamber via two baffle plates and fed into the cone.
8. FILTER STAGE I
Any remaining small particles and residual moisture are separated by a stainless-steel metal mesh.
9. FILTER STAGE II
For carcinogenic substances in recirculation mode, an additional HEPA H14 filter is used.
10. BLOW OUT
The cleaned air is now led back into the hall or outside.
11. BUTTERFLY VALVE
Sludge and water can be quickly drained off via a large butterfly valve (Ø 100 mm).
12. DISCHARGE
The sludge can be disposed of easily via an individual discharge system.

Requests & orders: parts@timesaversint.com | www.timesaversint.com
Please mention your machine serial number with your request or order.

Only Use Timesavers Originals Spare Parts For The Best Results Every Time.

TIMESAVERS ORIGINALS OVERVIEW DUST EXTRACTOR

Find the right dust extractor to accompany your Timesavers machine. In case your dust extractor is not located nearby (6 m) your machine, please contact us for custom advice.

This data is based on Absaugwerk dust extractors.

SERIES	HEAD	DUST EXTRACTOR	300 MM	600 MM	900 MM	1050 MM	1100 MM	1280 MM	1350 MM	1600 MM
10	MG	Serie B 2000 3 kW	-	-	-	-	-	✓	-	-
12	W	Serie B 1000 1,1 kW	-	✓	-	-	-	-	-	-
12	WW	Serie B 2000 2,2 kW	-	✓	-	-	-	-	-	-
12	WB	Serie B 2000 2,2 kW	-	✓	-	-	-	-	-	-
12	WRBW	Serie B 2000 3 kW	✓	-	-	-	-	-	-	-
22	H	Serie B 2000 2,2 kW	-	✓	✓	-	-	-	-	-
22	W	Serie B 2000 2,2 kW	-	-	✓	-	-	-	-	-
22	W	Serie B 3000 4 kW	-	-	-	✓	-	-	-	-
22	W	Serie B 3000 4 kW	-	-	-	-	-	✓	-	-
22	WB	Serie B 3000 4 kW	-	-	✓	-	-	-	-	-
22	WW	Serie B 3000 4 kW	-	-	-	✓	-	-	-	-
22	WW	Serie B 3000 5,5 kW	-	-	-	-	-	✓	-	-
22	WWB	Serie B 3000 4 kW	-	-	✓	-	-	-	-	-
22	WWB	Serie B 3000 7,5 kW	-	-	-	✓	-	-	-	-
22	WMD	Serie B 2000 2,2 kW	-	-	✓	-	-	-	-	-
22	WMDMD	Serie B 3000 4 kW	-	-	✓	✓	-	-	-	-
22	WRB	Serie B 2000 3 kW	-	✓	-	-	-	-	-	-
22	WRBW	Serie B 2000 3 kW	-	✓	-	-	-	-	-	-
32	RB	Serie B 3000 4 kW	-	-	-	-	✓	-	-	-
32	WRB	Serie B 3000 4 kW	-	-	-	-	✓	-	-	-
32	WRBW	Serie B 3000 7,5 kW	-	-	-	-	✓	-	-	-
42	RB	Serie B 3000 4 kW	-	-	-	-	-	-	✓	-
42	WRB	Serie B 3000 5,5 kW	-	-	-	-	-	-	✓	-
42	WRBW	Serie B 3000 7,5 kW	-	-	-	-	-	-	✓	-
42	WWRB	Serie B 3000 7,5 kW	-	-	-	-	-	-	✓	-
42	HWRB	Serie B 3000 7,5 kW	-	-	-	-	-	-	✓	-
42	WWRBW	Serie B 4000 15 kW	-	-	-	-	-	-	✓	-
42	WRB	Serie B 3000 7,5 kW	-	-	-	-	-	-	-	✓
42	WRBW	Serie B 4000 11 kW	-	-	-	-	-	-	-	✓
42	WWRB	Serie B 4000 11 kW	-	-	-	-	-	-	-	✓
42	HWRB	Serie B 4000 11 kW	-	-	-	-	-	-	-	✓

Requests & orders: parts@timesaversint.com | www.timesaversint.com
Please mention your machine serial number with your request or order.

Only Use Timesavers Originals Spare Parts For The Best Results Every Time.



CONTACT SALES

T +31 113 23 89 11
info@timesaversint.com

CONTACT MARKETING

T +31 113 23 89 10
marketing@timesaversint.com



CONTACT SERVICE

T +31 113 23 89 50
service@timesaversint.com

CONTACT PARTS

T +31 113 23 89 50
parts@timesaversint.com



TIMESAVERS INTERNATIONAL BV

Fruitlaan 20-30, 4462 EP Goes
The Netherlands
T +31 113 23 89 00
F +31 113 23 20 03
info@timesaversint.com
www.timesaversint.com

TIMESAVERS LLC

11123 89th Ave North
Maple Grove, Minnesota USA
T +763 488 6600
F +763 488 6601
info@timesaversinc.com
www.timesaversinc.com

